

PM328 4-1/2 DIGIT LCD PANEL METER

FEATURES

200.0mV DC INPUT (SCALABLE 2,20,200,500)
 100M Ω INPUT IMPEDANCE
 SELECTABLE DECIMAL POINT
 AUTO POLARITY
 AUTO ZERO
 7-11VDC POWER
 EASY MOUNTING



SPECIFICATIONS

MAX INPUT: 199.99 mV
 INPUT IMPEDANCE: 100M Ω
 SUPPLY INPUT: 7-11VDC (9VDC NOMINAL)
 Isolated from Input
 CONVERSION TYPE: DUAL SLOPE
 DISPLAY: 4-1/2 DIGIT LCD
 OVERRANGE: "1" SHOWN ON DISPLAY
 DECIMALSELECT: 4 POS. JUMPER SELECT

MAX DISPLAY: 19999 COUNTS
 ACCURACY: $\pm 0.5\%$ ($23^{\circ} \pm 5^{\circ} < 80\% RH$)
 SUPPLY CURRENT: .5mADC
 CONVERSION RATE: 2-3/SEC.
 CHARACTER HT.: .37in
 METER SIZE: 70MM X 44MM X 23MM

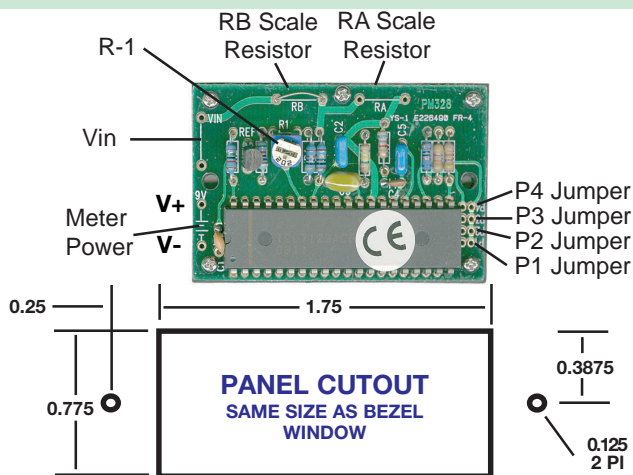
SETUP & OPERATION

- A: Install Decimal point jumper as needed
- B: Remove RB Jumper and install Scaling resistors RA/RB (Not Supplied) as required SEE CHART
 Scaling Resistors: 1/2W 0.5% Metal film
- C: Connect 7-11VDC Power Supply
- D: Connect source to be measured

MAX INPUT	VOLTAGE DIVIDER	DECIMAL POINT
200mV	None	P2
2V	Remove RB Jumper Install RB: 9M Ohm Install RA: 1M Ohm	P4
20V	Remove RB Jumper Install RB: 9.9M Ohm Install RA: 100K Ohm	P3
200V	Remove RB Jumper Install RB: 9.99M Ohm Install RA: 10K Ohm	P2
500V	Remove RB Jumper Install RB: 9.999M Ohm Install RA: 1K Ohm	P1

CALIBRATION

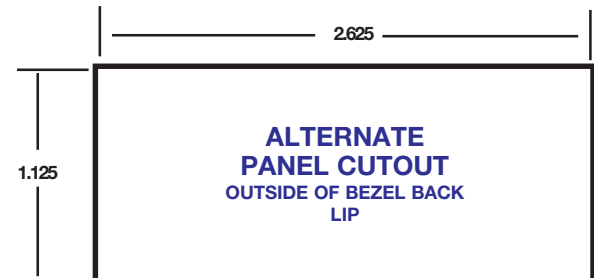
Input a voltage from calibration source equal to 1/2 of the full scale range. Adjust R1 until reading equals that of calibration source.



1.9.9.9.9

P P P P
4 3 2 1

DECIMAL POINT LOCATION



MARLIN P. JONES & ASSOC., INC.

P.O. Box 530400 Lake Park, FL 33403

800-652-6733 FAX 561-844-8764

WWW.MPJA.COM