

Stepping Motors

M42SP-13NK

OUTLINE

A model with high resolution in $\phi 42$ series.
It realizes high resolution and high response.



FEATURES

1. High-output torque, and high resolution.
2. Superior running quietness and stability.

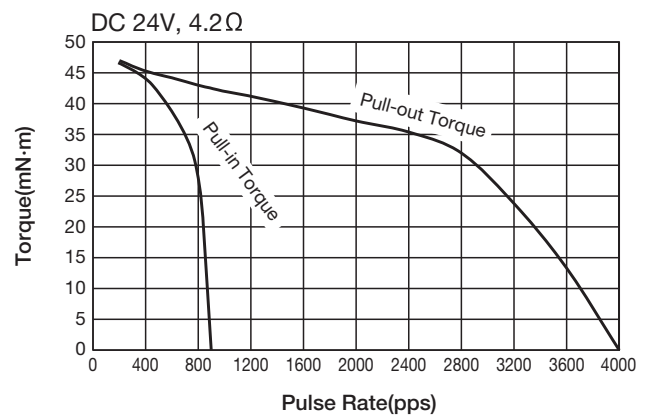
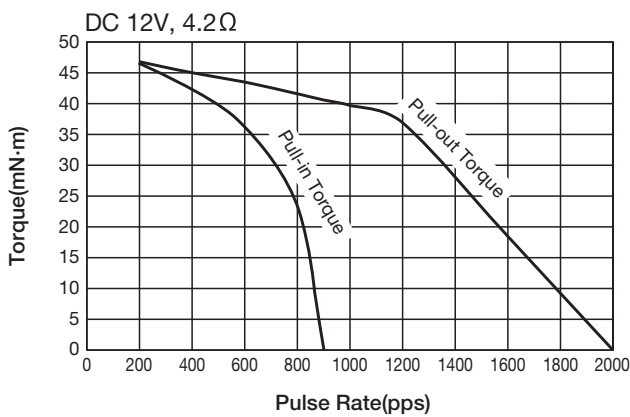
USES

Printers, multifunction machines, copy machines, FAX, etc.

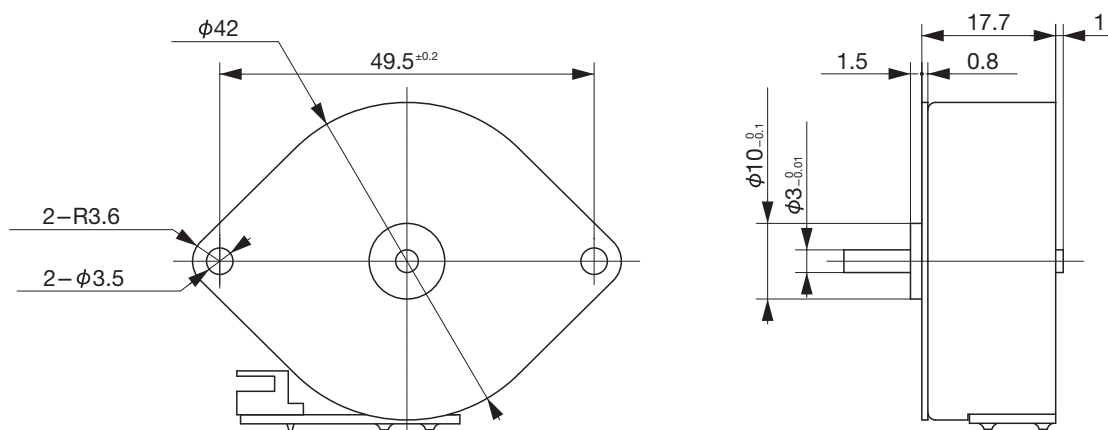
SPECIFICATIONS

Item	M42SP-13NK	
Rated Voltage	DC 12V	DC 24V
Working Voltage	DC 10.8~13.2V	DC 21.6~26.4V
Rated Current/Phase	600mA(PEAK)	
No. of Phase	2 Phase	
Coil DC Resistance	4.2Ω/phase±7%	
Step Angle	3.75°/step	
Excitation Method	2-2 Phase excitation(Bipolar driving)	
Insulation Class	Class E insulation	
Holding Torque	56.9mN·m	56.9mN·m
Pull-out Torque	41.6mN·m/800pps	36.9mN·m/2,000pps
Pull-in Torque	46.6mN·m/200pps	46.6mN·m/200pps
Max. Pull-out Pulse Rate	1,800pps	3,900pps
Max. Pull-in Pulse Rate	880pps	880pps

CHARACTERISTICS



DIMENSIONS



Unit : mm
General tolerance : ±0.5

• Any products mentioned in this catalog are subject to any modification in their appearance and others for improvements without prior notification.
• The details listed here are not a guarantee of the individual products at the time of ordering. When using the products, you will be asked to check their specifications.