

320W Single Output Power Supply with PFC

HF320W-SC Series



FEATURES

- Universal AC input / full range
- PF>0.98@115VAC; >0.94@230VAC
- Japanese brand components for key parts
- Electrolytic capacitors all 105°C
- Built-in fan speed control
- Approvals: UL,CB,CE,CCC
- Protections: overload/ over voltage/
over temperature/ short circuit
- 5 years limited warranty
- F632C 215 x 115 x 50mm

SPECIFICATIONS

Input Voltage	85~264VAC (120~370VDC)
Input Current	5.0A
Input Frequency	47~63Hz
Inrush Current	cold start, 20A/115V, 40A/230V
Input Leakage Current	< 1mA/230VAC
Line Regulation (full load)	± 0.5%
Voltage Adjust Range	± 10%
Output Overload Protection	105~150%, hiccup mode, auto recovery
Output Over Voltage Protection	115~150%, shut off, re-power on to recover
Short Circuit Protection	hiccup mode, auto recovery
Rise Time	50ms @full load (typical)
Hold up Time	20ms @full load (typical)
Mechanical Feature	enclosed
Dimensions	215 x 115 x 50mm (L x W x H)

Operating Temperature	-20°C ~+70°C(ref. derating curve)
Storage Temperature	-20°C ~+85°C
Operating Humidity	20%~93%RH(non condensing)
Storage Humidity	20%~95%RH(non condensing)
MTBF	>100,000 hours
Cooling	by fan, speed controlled by internal temperature
Safety Standards	GB4943, UL60950, EN60950
EMC Standards	GB9254, EN55022 Class B EN55024, EN61000-3-2,3 EN61000-4-2,3,4,5,6,8,11
Withstand Voltage	I/P -O/P: 3.0KVAC/1min I/P - PE: 1.5KVAC/1min O/P-PE: 0.5KVAC/1min
Vibration	10~150Hz, 2G 10min/1cycle, 30min each along X, Y, Z axes
Connection	9P/9.5mm screw terminal block
Packing	1.06kgs, 20pcs/23kgs/0.045CBM per carton

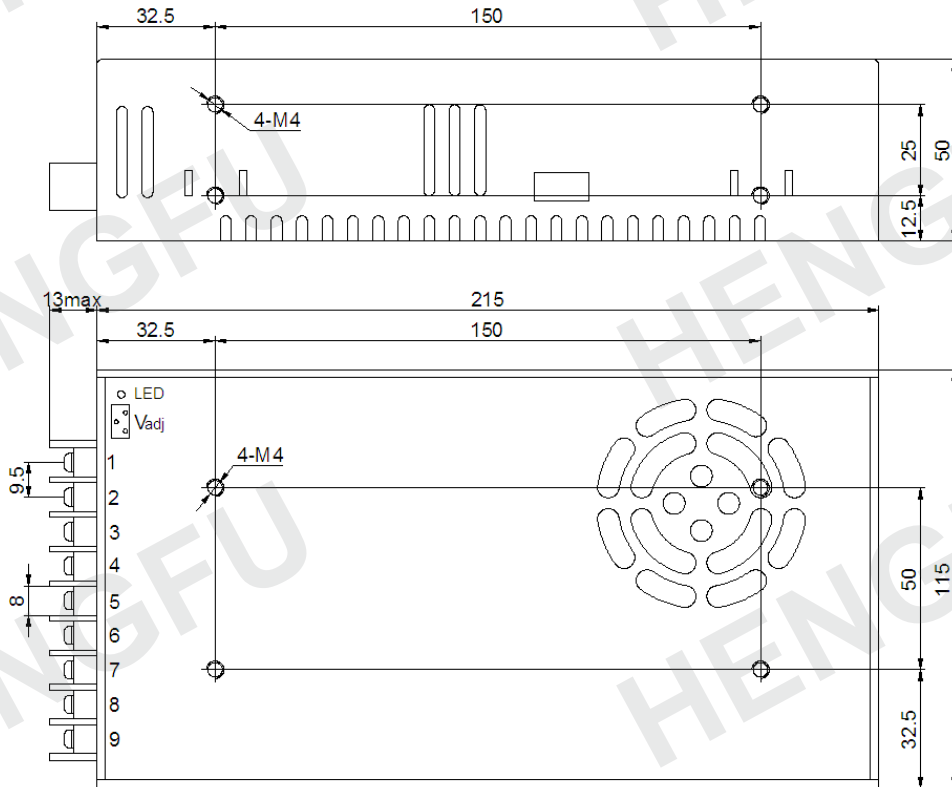
Model No.	DC Output	Rated Power	Load Regulation	Voltage Tolerance	Ripple & Noise (max.)	Efficiency
HF320W-SC-5	5V 60.0A	300.0W	0.5%	± 2%	120mVp-p	78%
HF320W-SC-7.5	7.5V 40.0A	300.0W	0.5%	± 2%	120mVp-p	78%
HF320W-SC-12	12V 25.0A	300.0W	0.5%	± 1%	150mVp-p	83%
HF320W-SC-13.5	13.5V 22.0A	297.0W	0.5%	± 1%	150mVp-p	83%
HF320W-SC-15	15V 20.0A	300.0W	0.5%	± 1%	150mVp-p	84%
HF320W-SC-24	24V 13.0A	312.0W	0.5%	± 1%	150mVp-p	86%
HF320W-SC-27	27V 11.7A	315.9W	0.5%	± 1%	200mVp-p	87%
HF320W-SC-36	36V 8.8A	316.8W	0.5%	± 1%	200mVp-p	87%
HF320W-SC-48	48V 6.7A	321.6W	0.5%	± 1%	240mVp-p	88%

* 3~48VDC output all available

NOTE

1. All parameters are measured at 230VAC input, rated load and 25°C of ambient temperature.
2. Line regulation is measured from low line to high line at rated load.
3. Load regulation is measured from 0% to 100% of rated load for single output models. For multi-output models, it is measured from 20% to 100% of rated load, and other output at 60% rated load.
4. Ripple & noise are measured at 20MHz of bandwidth by using a 12" twisted pair-wire terminated with a 0.1uF & 47uF parallel capacitor.
5. The power supply is regarded as a component which will be installed into a final equipment. The final equipment must be re-confirmed that it still meets EMC directives.

Drawing



Length of assembly screw: max. 6mm

Terminal Pin No. Assignment

Pin No.	Assignment	Pin No.	Assignment
1,2,3	DC OUTPUT +V	7	PE
4,5,6	DC OUTPUT -V	8	AC/N
		9	AC/L

Derating Curve

