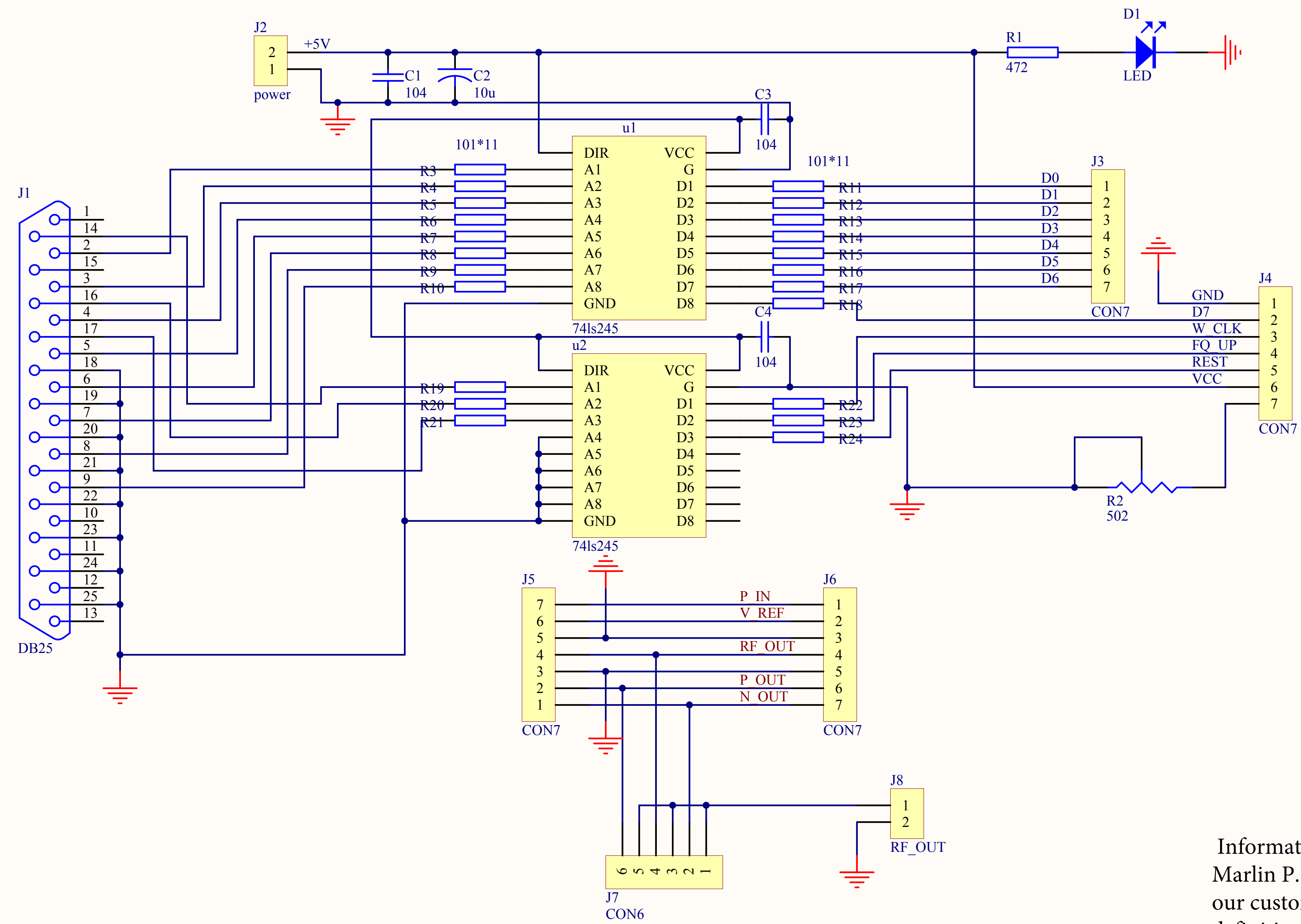


**OPTIONAL REFERENCE DRAWING FOR DDS CONTROL CIRCUIT  
NOT SUPPLIED**



Information obtained from or supplied by Mpja.com or Marlin P. Jones and Associates inc. is supplied as a service to our customers and accuracy is not guaranteed nor is it definitive of any particular part or manufacturer. Use of information and suitability for any application is at users own discretion and user assumes all risk.

Title DDS REFERENCE for OPTIONAL CONTROL BOARD		
Size B	Number	Revision
Date: 2010/6/20	Sheet of	
File: E:\Temp\...\AD9851-PC.SCH	Drawn By:	