

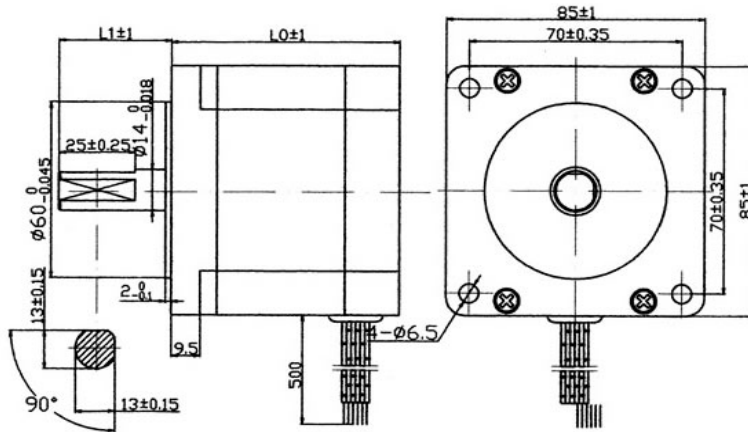
### General Specifications

Step Angle-----1.8°±5%  
 Insulation Resistance-----500V DC 100MΩ Min  
 Insulation Strength-----50Hz 1Minute 500V Min  
 Ambient Temperature -----20° C~+50° C  
 Temperature Rise-----80° C Max.  
 Radial Play-----0.02mm Max.  
 End Play-----0.1-0.3mm

### Electrical Specifications

Model	Phase Number	Current (A)	Resistance (Ω)	Inductance (mH)	Max.Static torque (Kg.cm)	Moment of inertia (g.cm <sup>2</sup> )	Weight (Kg)	Overall Dimension		Connection Diagram	Figuration Drawing
								LO(mm)	L1(mm)		
85BYGH450C-01	4	2.0	3.90	24	63	4000	3.8	151	37	Wdg.B	

### Mechanical Dimensions



### Wiring Diagram

