

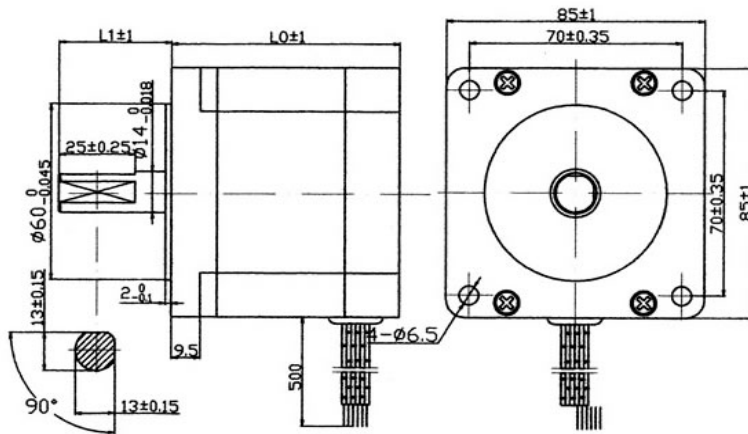
General Specifications

Step Angle-----1.8°±5%
 Insulation Resistance-----500V DC 100MΩ Min
 Insulation Strength-----50Hz 1Minute 500V Min
 Ambient Temperature -----20° C~+50° C
 Temperature Rise-----80° C Max.
 Radial Play-----0.02mm Max.
 End Play-----0.1-0.3mm

Electrical Specifications

Model	Phase Number	Current (A)	Resistance (Ω)	Inductance (mH)	Max.Static torque (Kg.cm)	Moment of inertia (g.cm ²)	Weight (Kg)	Overall Dimension		Connection Diagram	Figuration Drawing
								LO(mm)	L1(mm)		
85BYGH450A-04	4	3.0	1.0	4.05	23	1400	1.7	75	37	Wdg.B	

Mechanical Dimensions



Wiring Diagram

