

17457-MS



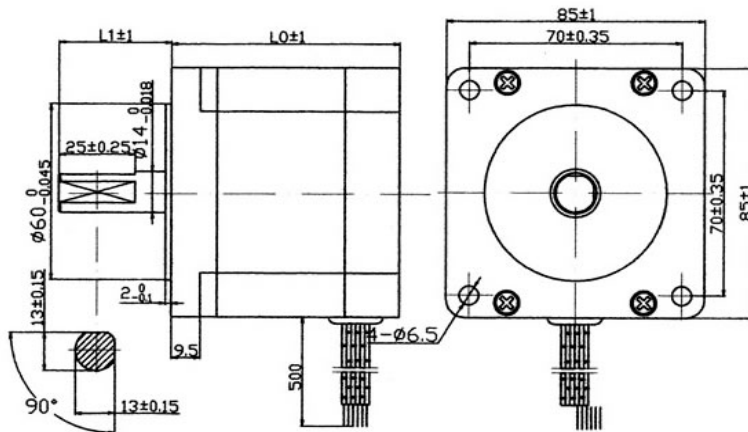
General Specifications

Step Angle-----1.8°±5%
 Insulation Resistance-----500V DC 100MΩ Min
 Insulation Strength-----50Hz 1Minute 500V Min
 Ambient Temperature -----20° C~+50° C
 Temperature Rise-----80° C Max.
 Radial Play-----0.02mm Max.
 End Play-----0.1-0.3mm

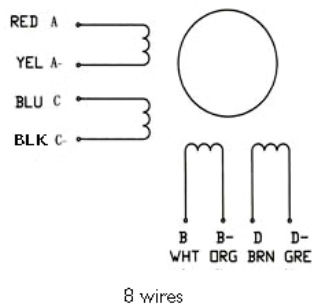
Electrical Specifications

Model	Phase Number	Current (A)	Resistance (Ω)	Inductance (mH)	Max.Static torque (Kg.cm)	Moment of inertia (g.cm ²)	Weight (Kg)	Overall Dimension		Connection Diagram	Figuration Drawing
								LO(mm)	L1(mm)		
85BYGH450C-01	4	2.0	3.90	24	63	4000	3.8	151	37	Wdg.B	

Mechanical Dimensions



Wiring Diagram



MARLIN P. JONES & ASSOC., INC.

P.O. Box 530400 Lake Park, FL 33403
 800-652-6733 FAX 561-844-8764
 WWW.MPJA.COM