

## General Specifications

**Motor Structure:** Shaded Pole Induction Motor  
**Motor Protection:** Impedance Protection  
**Insulation Resistance:**  
 10M Ω or over with a DC500V Megger  
**Dielectric Withstand Voltage:** AC 700V 1s  
**Allowable Ambient Temperature Range:**  
 -10°C ~ +70°C (Operating)  
 -40°C ~ +70°C (Storage)  
 (non-condensing environment)

## Expected Life

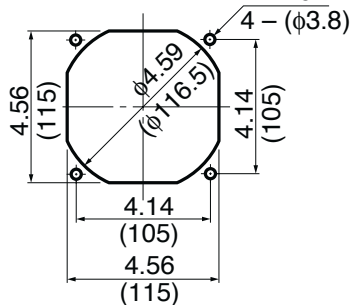
**Failure Rate: 10%**  
 25°C 100,000 Hours (D00)

## Material

**Casing** : Aluminum Alloy  
**Impeller** : UL94V-O Reinforced Plastic  
**Bearing** : Ball Bearing  
**Lead Wire** : AWG22, UL3266, CSA CL1252  
**or Terminal** : Faston #110 or equivalent

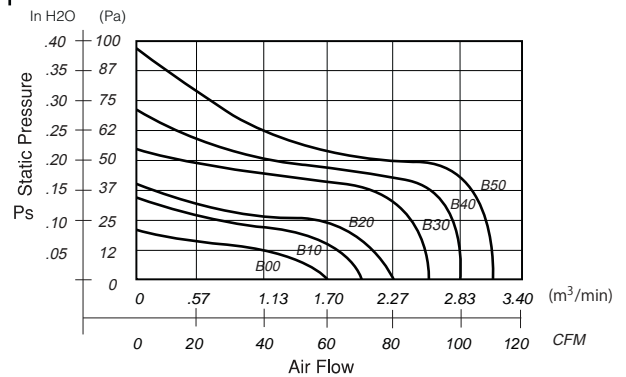
## Panel Cut-Outs

Units:  $\frac{\text{inch}}{\text{mm}}$

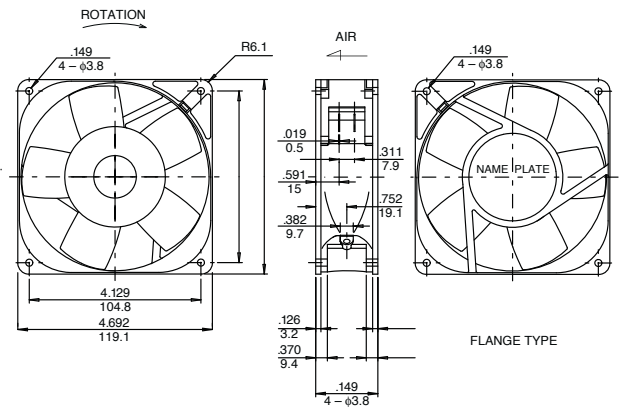


INLET SIDE / OUTLET SIDE

## Characteristic Curves



## Outline



## Specifications

MODEL	Rated Voltage	Frequency	Starting Voltage	Current	Input Power	Speed	Max. Air Flow		Max. Static Pressure		Noise	Mass
	(V)	(Hz)	(V)	(A) <sup>*1</sup>	(W) <sup>*1</sup>	(min <sup>-1</sup> ) <sup>*1</sup>	CFM	(m <sup>3</sup> /min) <sup>*1</sup>	in H <sub>2</sub> O	(Pa) <sup>*1</sup>	(dB) <sup>*1</sup>	(g)
4715FS-12T-B00-D00	115	60	75	0.090	7.5	1700	60.0	1.70	.08	20.0	31	550
4715FS-12T-B10-D00	115	60	75	0.110	10.0	1900	70.0	1.98	.12	30.0	33	550
4715FS-12T-B20-D00	115	60	75	0.100	9.8	2300	80.0	2.25	.13	32.5	36	550
4715FS-12T-B30-D00	115	60	75	0.180	14.5	2650	90.0	2.50	.22	55.0	39	550
4715FS-12T-B40-D00	115	60	75	0.170	14.0	2800	100.0	2.80	.29	72.5	42	550
4715FS-12T-B50-D00	115	60	75	0.190	14.4	3100	110.0	3.10	.37	92.5	45	550
4715FS-23T-B00-D00	230	60	175	0.030	5.5	1600	55.0	1.50	.07	17.5	31	550
4715FS-23T-B10-D00	230	60	175	0.050	9.0	1900	70.0	1.98	.12	30.0	33	550
4715FS-23T-B20-D00	230	60	175	0.050	8.8	2300	80.0	2.25	.13	32.5	36	550
4715FS-23T-B30-D00	230	60	175	0.090	12.0	2650	90.0	2.50	.22	55.0	39	550
4715FS-23T-B40-D00	230	60	175	0.090	14.0	2800	100.0	2.80	.28	70.0	42	550
4715FS-23T-B50-D00	230	60	175	0.080	14.0	3100	110.0	3.10	.37	92.5	45	550

Rotation: Counterclockwise

Airflow Outlet: Air In Over Struts

\*1: Maximum Values in Free Air

\*2: Average Values in Free Air

\*3: Minimum Values in Free Air

# Mouser Electronics

Authorized Distributor

Click to View Pricing, Inventory, Delivery & Lifecycle Information:

## NMB Technologies:

[4715FS-12T-B10-D00](#) [4715FS-12T-B5A-D00](#) [4715FS-23T-B10-D00](#) [4715FS-23T-B20-D00](#) [4715FS-12T-B00-D00](#)  
[4715FS-12W-B50-D00](#) [4715FS-23T-B4A-D00](#) [4715FS-23W-B10-D00](#) [4715FS-12W-B40-D00](#) [4715FS-23W-B30-D00](#)  
[4715FS-12T-B4A-D00](#) [4715FS-23W-B5A-D00](#) [4715FS-12W-B20-D00](#) [4715FS-23T-B30-D00](#) [4715FS-23T-B50-D00](#)  
[4715FS-23T-B5A-D00](#) [4715FS-12T-B30-D00](#) [4715FS-12T-B50-D00](#) [4715FS-12W-B10-D00](#) [4715FS-23T-B40-D00](#)  
[4715FS-23T-B00-D00](#) [4715FS-12T-B20-D00](#) [4715FS-12T-B40-D00](#) [4715FS-23T-B3A-D00](#) [4715FS-23W-B50-D00](#)  
[11938FB-A1J-AA-00](#) [11938FB-A1N-EA-00](#) [11938FB-A1M-AA-00](#) [11938FB-B3L-EA-00](#) [11938FB-A1K-EA-00](#)  
[11938FB-A1N-EP-00](#) [11938FB-B3K-EA-00](#) [11938FB-A1K-AA-00](#) [11938FB-B3L-AA-00](#) [11938FB-B3J-EA-00](#)  
[11938FB-A1N-AA-00](#) [11938FB-B3L-EP-00](#) [11938FB-A1M-EP-00](#) [11938FB-B3N-AP-00](#) [11938FB-A1M-EA-00](#)  
[11938FB-A1J-EA-00](#) [11938FB-B3M-EP-00](#) [11938FB-A1H-EA-00](#) [11938FB-A1L-EA-00](#) [11938FB-B3H-EA-00](#)  
[11938FB-B3N-EP-00](#) [11938FB-B3J-AA-00](#) [11938FB-B3N-EA-00](#) [11938FB-B3M-EA-00](#) [11938FB-B3N-AA-00](#)