

# 4315-MS

## 12V, 3.6deg. HOWARD

**MFG:** HOWARD **P/N:** 1-19-4100

**COIL:** 12V/.15A/75ohm/46mH

**NEMA:** 14

Uni-Polar 5 lead

500gm/cm(6.94oz/in) holding torque. 3/16" dia. X

7/16" shaft. 2 corner mounting studs. 7" leads.

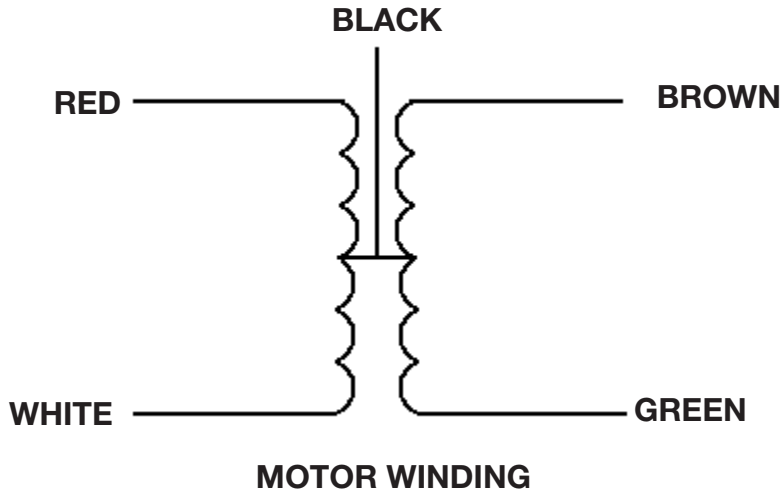
SQ: 1-5/8" L: 1-1/2" (Body) WT: .6

BLACK: POWER + (Common)

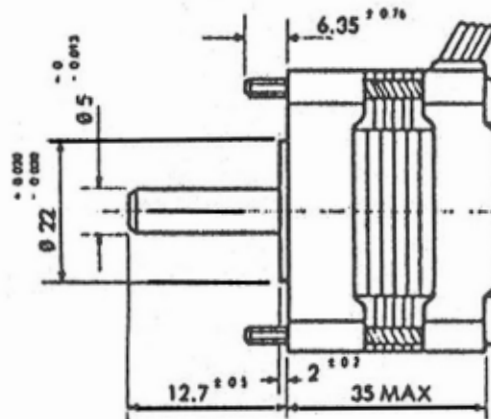
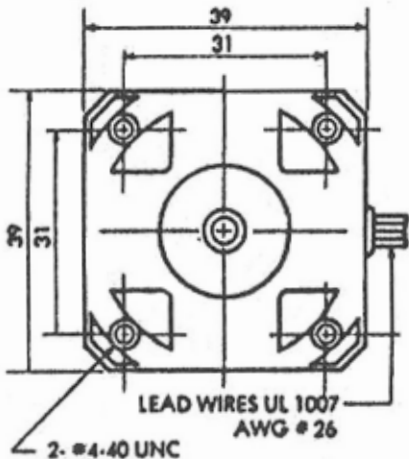
RED:  $\frac{A}{A}$  BROWN:  $\frac{B}{B}$

WHITE:  $\frac{A}{A}$  GREEN:  $\frac{B}{B}$

If motor is jerky or just moves back and forth:  
Reverse the RED & WHITE



STEP	A	B	$\bar{A}$	$\bar{B}$	COM.
1	-	-			+
2		-	-		+
3			-	-	+
4	-			-	+



**MARLIN P. JONES & ASSOC., INC.**

P.O. Box 530400 Lake Park, FL 33403

800-652-6733 FAX 561-844-8764

WWW.MPJA.COM