



General Specifications

Step Angle-----1.8°±5%

Insulation Resistance-----500V DC 100MΩ Min

Insulation Strength-----50Hz 1Minute 500V Min

Ambient Temperature -----20°C~+50°C

Temperature Rise-----80°C Max.

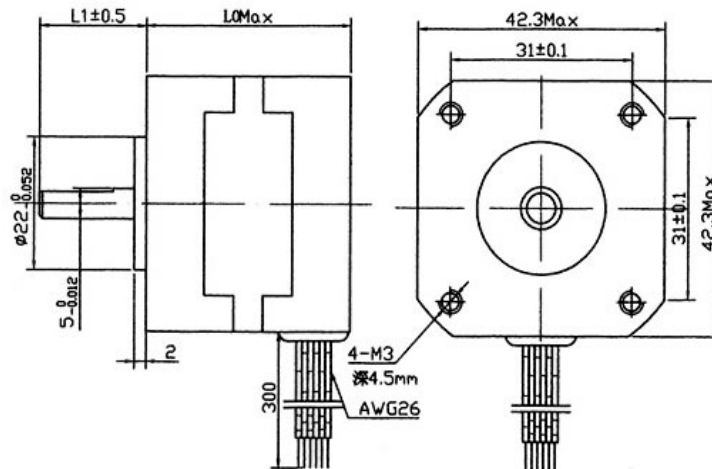
Radial Play-----0.02mm Max.

End Play-----0.1-0.3mm

Electrical Specifications

Model	Phase Number	Current (A)	Resistance (Ω)	Inductance (mH)	Max.Static torque (kg.cm)	Moment of inertia (g.cm ²)	Weight (kg)	Overall Dimension		Connection Diagram	Figuration Drawing
								L0(mm)	L1(mm)		
42BYGH4806	4	1.0	52	5.2	3.8	82	0.34	48	24	wdg.B	

Mechanical Dimensions



Wiring Diagram

