

38633-MI

Power Fail Switch Over Module, Dual Source, 12VDC

Power switching module/uninterruptible power supply (UPS).
Switches to a secondary power source if primary fails.
Module does not support adjustable voltage power supply
because the power supply response speed is slower than the
detection speed of module,

NOTE: Not to be used for motors

Primary Input: 12VDC (13.6 Max)

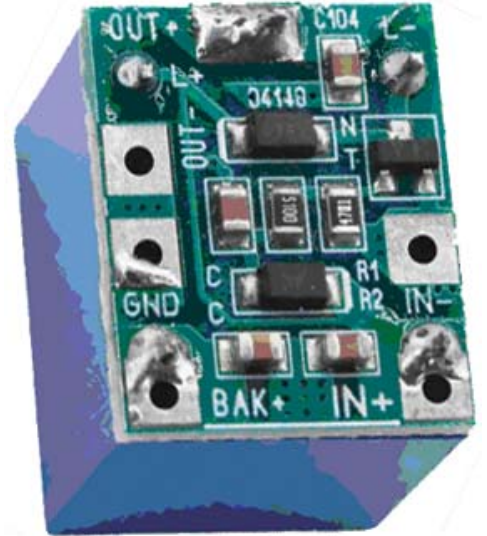
Low Limit on Primary: 10.5 to 10.6V (~10%)

Back-up Input: 12VDC (13.6 Max)

Switching Time: 10ms or better

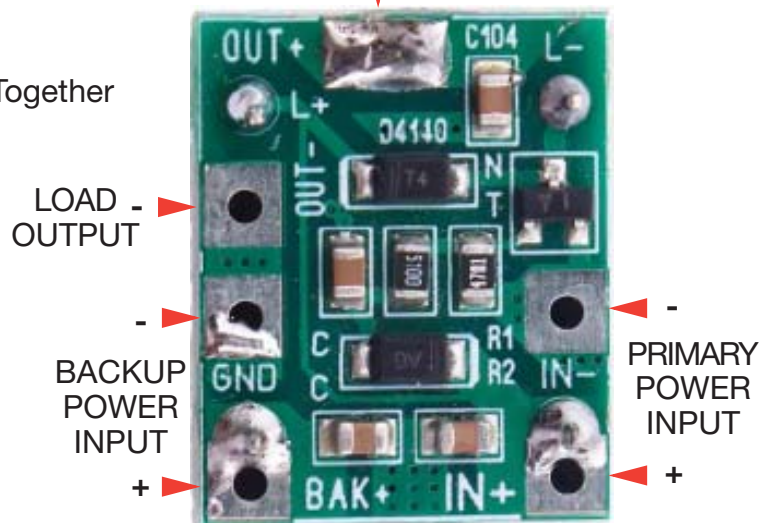
Current: 3A Max.

L: 19mm (~3/4") **W:** 15mm (~9/16") **H:** 19mm (~3/4") **WT:** .02



LOAD OUTPUT +

NOTE: All - (Minus) terminals are Connected Together



Information including Drawings, Schematics, Links and Code (Software) Supplied or Referenced in this Document is supplied by MPJA inc. as a service to our customers and accuracy or usefulness is not guaranteed nor is it an Endorsement of any particular part, supplier or manufacturer. Use of information and suitability for any application is at users own discretion and user assumes all risk.

Information Subject to Change Without Notice

All rights are retained by the respective Owners/Author(s)



MARLIN P. JONES & ASSOC., INC.

8380 Resource Rd. West Palm Beach, FL 33404

800-652-6733 FAX 561-844-8764

WWW.MPJA.COM