

38454-TS

Heavy Duty- 2 Circuit Terminal Block

Heavy Duty, Polycarbonate Junction Block with cover.
2 independent Input Terminals 8 Output Terminals
for each Input.

Solid Brass terminals.

Max Voltage: 660VAC 50/60Hz

Total Current: <200A

Branch Current: 40A Max

Input Connection: M8x1.25 Bolt

Suggested Wire Range: 4-25mm² (2x60A terminals
Included; You May need larger. Not Supplied)

Output: Clamp Screw M4x0.7

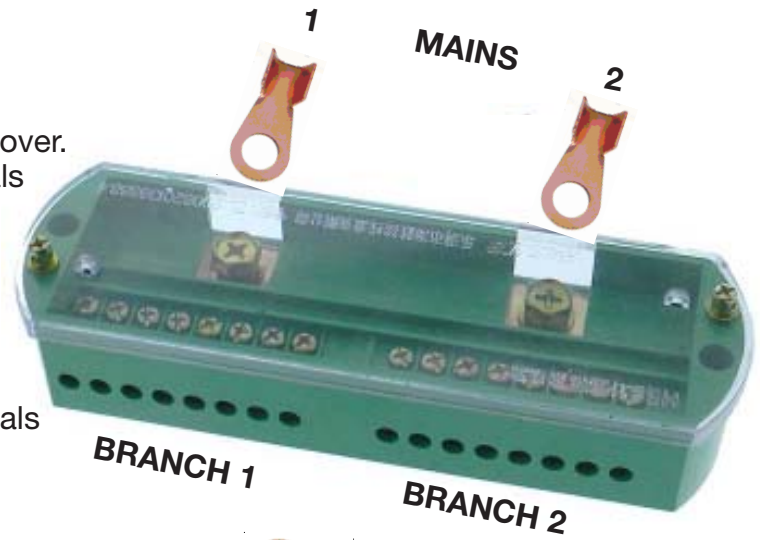
Output: Wire Range: 2.5-10mm²

Operating Temperature: -40°C TO 120°C

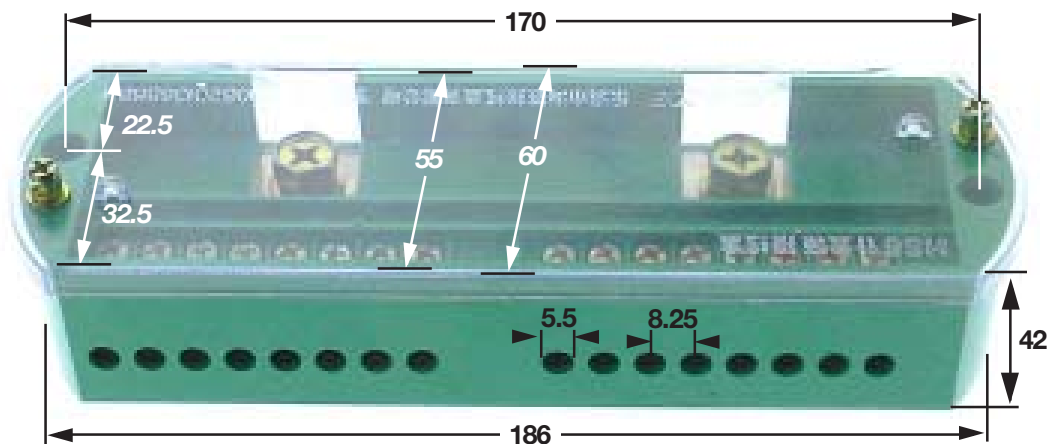
L: 186mm (7-3/8") **W:** 60mm (2-5/16") With Cover

H: 42mm (1-5/8") OA

WT: .8



2X 60A
TERMINALS INCLUDED



Information including Drawings, Schematics, Links and Code (Software) Supplied or Referenced in this Document is supplied by MPJA inc. as a service to our customers and accuracy or usefulness is not guaranteed nor is it an Endorsement of any particular part, supplier or manufacturer. Use of information and suitability for any application is at users own discretion and user assumes all risk.

Information Subject to Change Without Notice
All rights are retained by the respective Owners/Author(s)



MARLIN P. JONES & ASSOC., INC.

P.O. Box 530400 Lake Park, FL 33403

800-652-6733 FAX 561-844-8764

WWW.MPJA.COM