

38432-BX

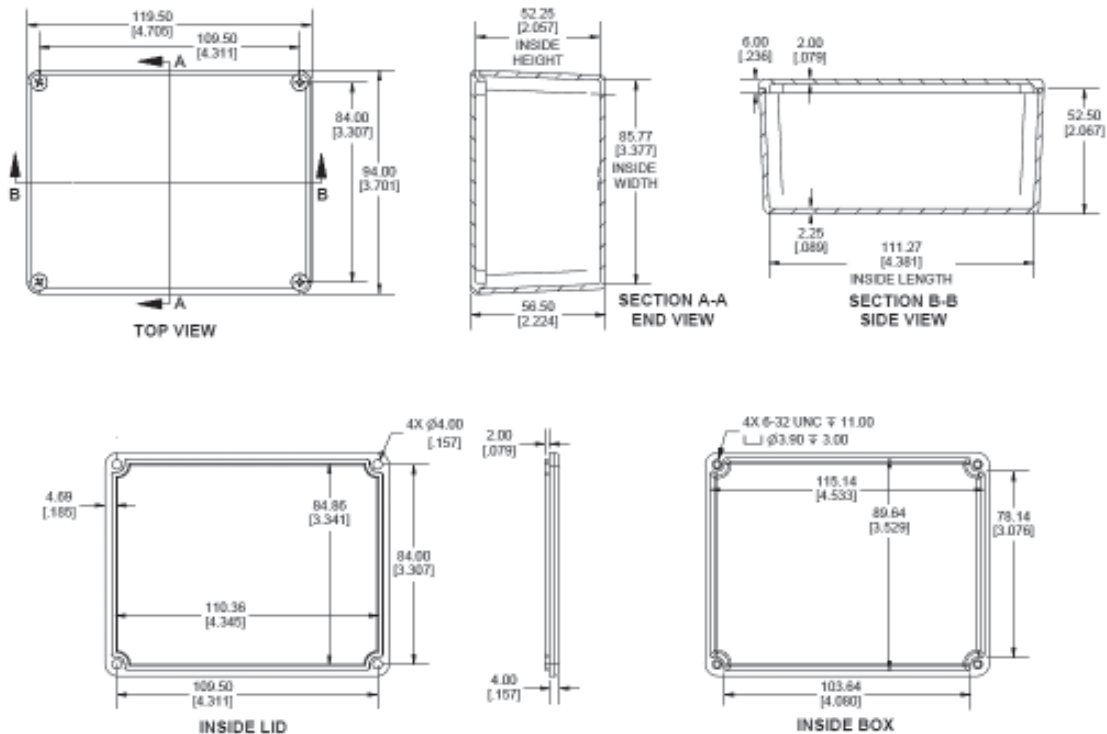
4-15/16in X 3-5/8 X 2-1/4in Die Cast Aluminum Box

Aluminum alloy diecast box with lid. Includes
6-32 countersunk stainless cover screws
Slightly trapezoidal
Wall thickness: about 2.3mm

Outside Dimn.

L: 120mm (~4-15/16") **W:** 94.5mm (~3-5/8")

H: 56mm (2-1/4") **WT:** .6



Information including Drawings, Schematics, Links and Code (Software) Supplied or Referenced in this Document is supplied by MPJA inc. as a service to our customers and accuracy or usefulness is not guaranteed nor is it an Endorsement of any particular part, supplier or manufacturer. Use of information and suitability for any application is at users own discretion and user assumes all risk.

Information Subject to Change Without Notice
All rights are retained by the respective Owners/Author(s)



MARLIN P. JONES & ASSOC., INC.

P.O. Box 530400 Lake Park, FL 33403
800-652-6733 FAX 561-844-8764
WWW.MPJA.COM