

38276-MI

RFID Access Control Module, 12VDC

RFID Access Control Module Operating Principle: First the User card is recorded into the module. If the card gets close again. The module will determine that the card has been recorded and is valid; Then the relay action is executed. If the card is not recorded or valid, the Relay will not activate. Relay can activate a light, lock or other devices
Manual Override switch input for "Guest" Access

NOTE: "OPEN" SPST-NO Override Switch Not Provided, Pig Tail Lead provided to connect

INCLUDES:

Module
Key FOB & Card
"OPEN" Switch Pigtail



Model: YS-RFID4

Power: 9-14V DC (12V Nom)

Current: Active 57mA DC
Standby: 27mA

Relay: SPDT Isolated Contacts

Rated: 125-250VAC/30VDC @ $\leq 8A$
 $\leq 1500W$ AC (Resistive load), $\leq 96W$ DC

Working Modes: This product has 2 output Modes Plus 6 Timed Modes:

Real time: Card close; Relay Active, card gone; Relay Off.

Alternate: Card close 1st Time; Relay Active. Card close a second time; Relay Off.

Timed: As soon as the card approaches, the Relay is Active then turns Off automatically after the specified time.

Active Time: 1, 5, 10, 30, 60, or 120 Seconds (Default is 5 sec.)

Number of ID Cards: 3 Master cards: 200 User cards.

Supported ID Card type: TK4100, EM4200 (working frequency 125KHZ), IOS communication protocol 11785

Sensing Distance: 2-4cm

Induction coil: External diameter: ~2.6cm (~1"): Lead length ~3.6cm (~1.5").

Temperature range: -20 To +60°C

Humidity: $\leq 80\%$

L: 7cm (~2-11/16") **W:** 5cm (~2") **H:** 2cm (~3/4") **WT:** .1

Information including Drawings, Schematics, Links and Code (Software) Supplied or Referenced in this Document is supplied by MPJA inc. as a service to our customers and accuracy or usefulness is not guaranteed nor is it an Endorsement of any particular part, supplier or manufacturer. Use of information and suitability for any application is at users own discretion and user assumes all risk.

Information Subject to Change Without Notice
All rights are retained by the respective Owners/Author(s)

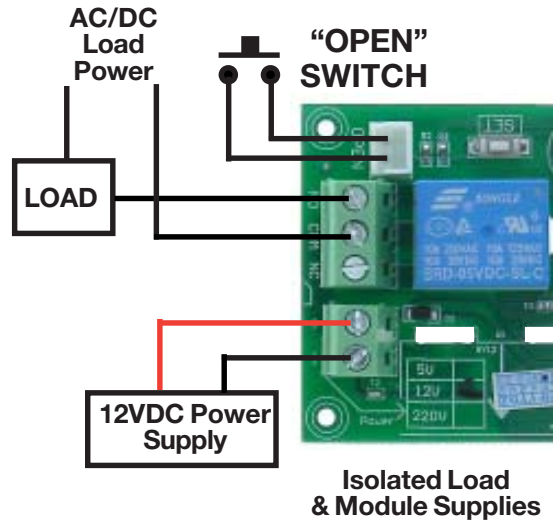
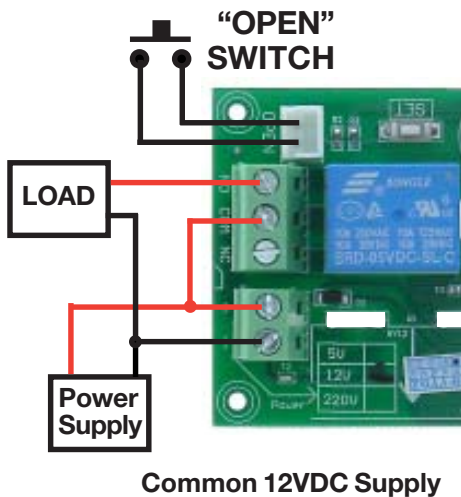
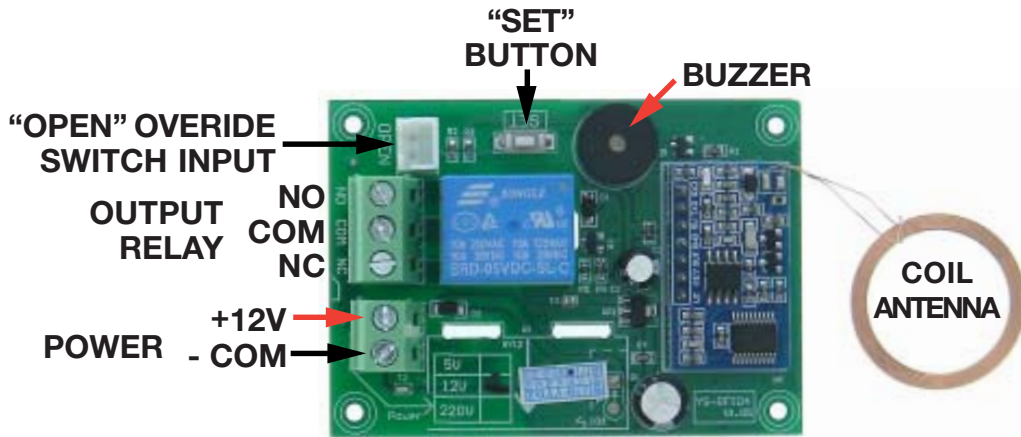


MARLIN P. JONES & ASSOC., INC.

P.O. Box 530400 Lake Park, FL 33403
800-652-6733 FAX 561-844-8764
WWW.MPJA.COM

38276-MI

RFID Access Control Module, 12VDC



Note: Hearing “beep beep” three times during an operation means there is operation error, such as the number of registered cards exceeds the max, the card has been registered and cannot be deleted repeatedly, etc. Hearing continuous “beep————beep” during the operation, means the card is invalid, such as not registered.

Information including Drawings, Schematics, Links and Code (Software) Supplied or Referenced in this Document is supplied by MPJA inc. as a service to our customers and accuracy or usefulness is not guaranteed nor is it an Endorsement of any particular part, supplier or manufacturer. Use of information and suitability for any application is at users own discretion and user assumes all risk.

Information Subject to Change Without Notice
All rights are retained by the respective Owners/Author(s)



MARLIN P. JONES & ASSOC., INC.

P.O. Box 530400 Lake Park, FL 33403
800-652-6733 FAX 561-844-8764
WWW.MPJA.COM

38276-MI

RFID Access Control Module, 12VDC

1. Registering Master card:

Keep Card Away from Coil Until Told to Bring Close!

Press and hold the **SET** button for 2 seconds, release the button after hearing 1 “beep” sound, Bring the card closer and 2 “beep” are heard, which means the registering of the Master card is completed.

Repeat the sequence to register up to 3 Master cards.

Press the **SET** button again and hear 2 “beeps”, which means you are exiting the Master card registration Function.

2. Deleting Master card:

Press and hold the **SET** button for 4 seconds until you hear 2 “beeps”, then release the button. Move the Master card to be deleted close and hear 2 “beeps”, which means the card has been deleted.

You can delete other Master cards by following the steps.

Press the **SET** button again and hear 2 “beeps”, which means you are exiting the Master card deletion Function.

3. Registering User card:

Bring the Master card close to module. After hearing 1 “beep”, You have entered adding a new User card Function.

Bring the card close. After hearing 2 “beeps”, the registration of this User card is completed.

If you need to add more than one User card, just, place other cards in sequence close to module.

After all registrations are completed, bring the Master card close again. After hearing 2 “beep” sounds, it means you have exited the User card registration Function.

4. Deleting User card:

Bring the Master card close to and hold it for more than 2 seconds. After hearing 2 long “beep” sounds, meaning that the Module has entered User card deletion Function. Bring the User card close. After hearing 2 beeps, the User card is deleted.

Finish. If you need to delete multiple cards, just bring other cards in sequence close to module. After all deletions are completed, bring Master card close again and hear 2 beeps, which means you have exited the User card deletion Function.

5. Setting the Working Mode:

This product has 2 output Modes Plus 6 Timed Output Modes:

Real time: Card close; Relay Active, card gone; Relay Off.

Alternate: Card close 1st Time; Relay Active. Card close a second time; Relay Off.

Timed: As soon as the card approaches, the Relay is Active then turns Off automatically after the specified time.

Active Time: 1, 5, 10, 30, 60, or 120 Seconds (Default is 5 sec.)

Press and Hold the OPEN SWITCH without releasing it, (SEE WIRING DIAGRAM)

Then bring the Master card close for the 1st time and hear the Relay release, then bring the Master card close for a second time and hear a “beep” sound, which represents the Mode 1 (real-time mode).

Bring close again and hear 2 beeps, which represents Mode 2 (self-locking mode).

Repeat for timed Modes, listen to the number of “beeps” to determine which Time Mode it is. ie: 3 for 1sec, 4 for 5sec. etc.

After selecting, release the OPEN button; hear 2 “Beep” sounds completing the working mode setting.

6. Reset:

First power off the Module, then press and Hold the SET button, then turn the power ON and hear 2 “beeps” for 3 seconds. Release the SET button and hear 1 “beep” to indicate that the factory settings are restored.

Information including Drawings, Schematics, Links and Code (Software) Supplied or Referenced in this Document is supplied by MPJA inc. as a service to our customers and accuracy or usefulness is not guaranteed nor is it an Endorsement of any particular part, supplier or manufacturer. Use of information and suitability for any application is at users own discretion and user assumes all risk.

Information Subject to Change Without Notice

All rights are retained by the respective Owners/Author(s)

MARLIN P. JONES & ASSOC., INC.

P.O. Box 530400 Lake Park, FL 33403

800-652-6733 FAX 561-844-8764

WWW.MPJA.COM

