

# 38209-PS

## Adjustable 1.25-36V DC/DC Buck Converter

Short circuit protected, Non-isolated step-down (Buck) converter using the XL4015 Regulator

**Input Voltage:** 4-36V (38Vmax)

**Output Voltage:** 1.25-36V

**Output Current:** 0-4.5A (5Max - Power Limited)

**Output Power:** < 75W, (Use heat sink if it exceeds 50W)

**NOTE:** Heatsink Supplied BUT Not Attached

Working Temperature: -40~+85° C

Switching Frequency: 180KHz

Efficiency: ~96%

Load regulation: ~0.8%

LED Power Indicator

Over-Temperature protected.

Solder Terminals

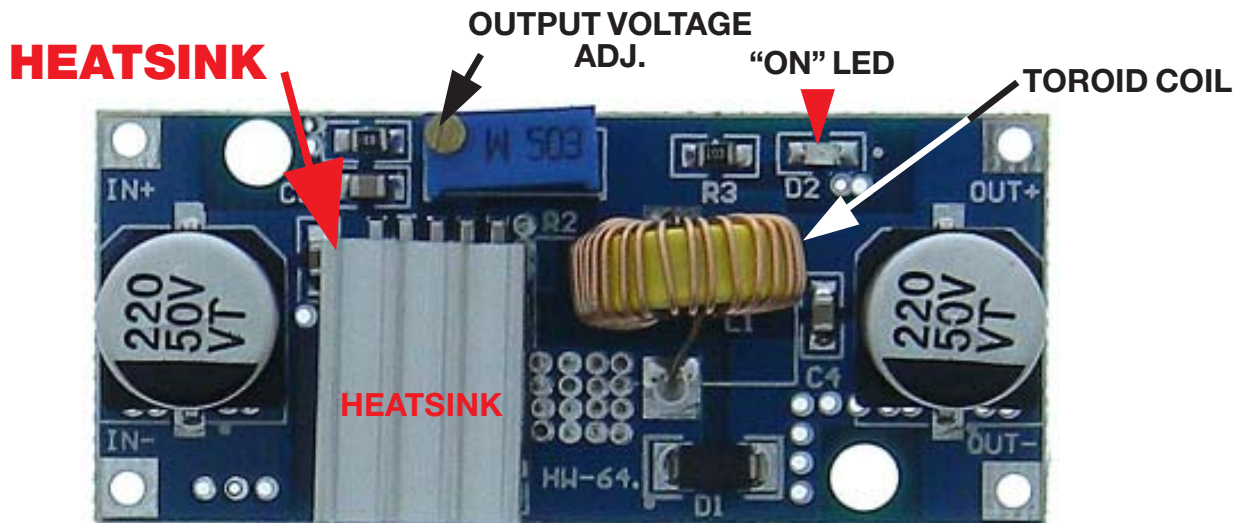
**L:** 54mm (~2") **W:** 23mm (15/16") **H:** 18mm (9/16") **WT:** .02

### NOTE:

**IF MOUNTING HEATSINK:**

**BE SURE TO ATTACH HEATSINK AS SHOWN IN PICTURE.**

**HEATSINK SHOULD NOT RUB AGAINST TOROID COIL**



Information including Drawings, Schematics, Links and Code (Software) Supplied or Referenced in this Document is supplied by MPJA inc. as a service to our customers and accuracy or usefulness is not guaranteed nor is it an Endorsement of any particular part, supplier or manufacturer. Use of information and suitability for any application is at users own discretion and user assumes all risk.

Information Subject to Change Without Notice  
All rights are retained by the respective Owners/Author(s)



**MARLIN P. JONES & ASSOC., INC.**

P.O. Box 530400 Lake Park, FL 33403  
800-652-6733 FAX 561-844-8764  
WWW.MPJA.COM