

# 38186-VR

## 2x100K Ohm Motorized Variable Resistor, Audio Taper

Motorized dual 100K Ohm +- 5% Variable Resistor.

**Resistance:** 2 x 100K ohm (Tap at ~50K)

**Taper (Curve):** Audio (Log)

**Power:** 0.2W

**Shaft:** 18mm x 6mm dia. Spline with screwdriver slot

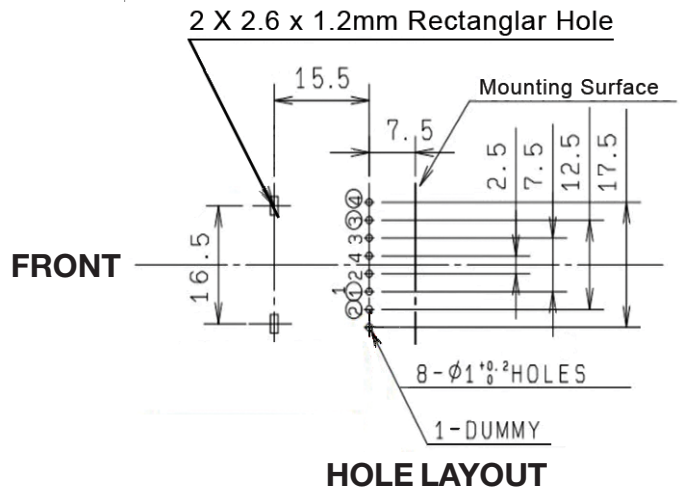
**Motor:** 4-6VDC @ <100ma

Resistors: PC Terminals (0.1" Pitch)

Motor: Solder Terminals

Mounts in 5/16in. hole. or PC board

**L:** 2-3/4in. O/A **W:** 1in. O/A **WT:** .1

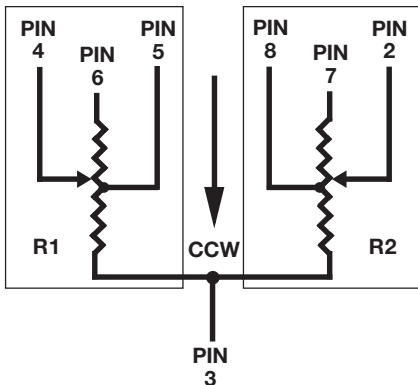


### MOTOR:

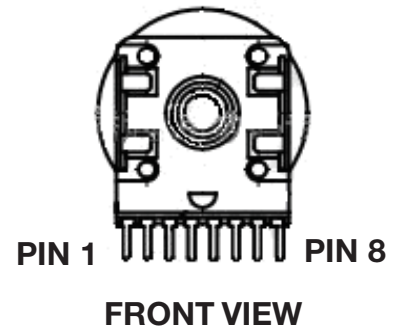
**NOTE:** Motor Runs as long as Power Applied

Red Dot +/Black - CW (Clockwise)

Red Dot -/Black + CCW (Counter Clockwise)



PIN	Resistor	Connection
1	nc	-----
2	R2	Wiper R2
3	Common	R1 & R2
4	R1	Wiper R1
5	R1	Tap (~50K)
6	R1	CCW end
7	R2	CCW end
8	R2	Tap (~50K)



Information including Drawings, Schematics, Links and Code (Software) Supplied or Referenced in this Document is supplied by MPJA inc. as a service to our customers and accuracy or usefulness is not guaranteed nor is it an Endorsement of any particular part, supplier or manufacturer. Use of information and suitability for any application is at users own discretion and user assumes all risk.

Information Subject to Change Without Notice  
All rights are retained by the respective Owners/Author(s)



**MARLIN P. JONES & ASSOC., INC.**

P.O. Box 530400 Lake Park, FL 33403  
800-652-6733 FAX 561-844-8764  
WWW.MPJA.COM