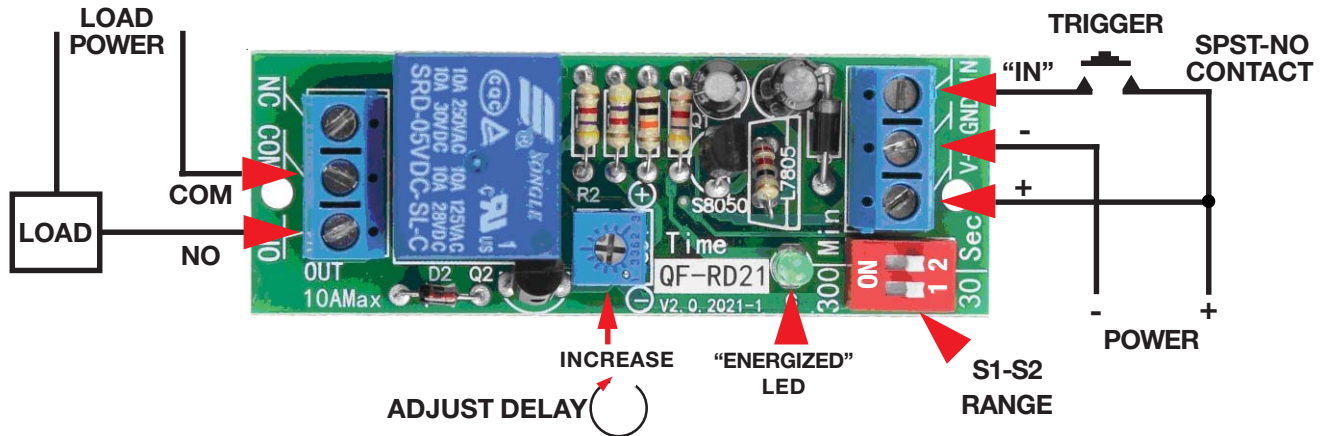


37719-RL

Triggered Delay on Break Timing Relay



General use Delay on Break (Delay on Turn Off) relay module with 4 Timing Ranges.
 Momentary Trigger Input turns Relay ON. Delay starts AFTER Trigger Signal is removed.
 After Delay, Relay turns OFF.

Power: 12VDC @ <50mA energized
Trigger: HIGH level signal: >1.5V, <20mS (Power +)
Range:

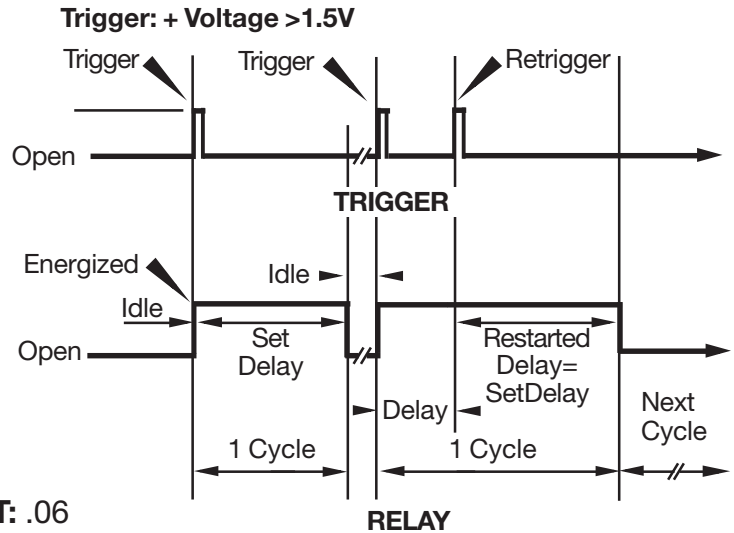
- A: 0.2 sec. to 30 sec, accuracy: 0.1 sec.
- B: 0.2 sec. to 300 sec. (5 min.), accuracy: 0.3 sec.
- C: 0.2 sec. to 30 min, accuracy: 1.8 sec.
- D: 0.2 sec. to 300 min. (5 hours), accuracy: 18 sec.

NOTE: Control is a single Turn.
 Precise Adjustment is tricky
 "Energized" LED flashes once when power applied (Relay Does Not activate)
 Flashes during Delay countdown.

Relay: SPDT 10A @125/250VAC/28VDC .
 Terminal strips In & Out.
 Operating Temperature: -25°C ~ 85°C
 Humidity: 5% to 95% RH

L: 70mm (2-3/4") **W:** 25mm (1") **H:** 20mm (3/4") **WT:** .06

S1	S2	RANGE
Off	Off	0.2 sec. to 30 sec.
On	Off	0.2 sec. to 300 sec.
Off	On	C: 0.2 sec. to 30 min.
On	On	0.2 sec. to 300 min.



Information including Drawings, Schematics, Links and Code (Software) Supplied or Referenced in this Document is supplied by MPJA inc. as a service to our customers and accuracy or usefulness is not guaranteed nor is it an Endorsement of any particular part, supplier or manufacturer. Use of information and suitability for any application is at users own discretion and user assumes all risk.

Information Subject to Change Without Notice
 All rights are retained by the respective Owners/Author(s)



MARLIN P. JONES & ASSOC., INC.

P.O. Box 530400 Lake Park, FL 33403
 800-652-6733 FAX 561-844-8764
 WWW.MPJA.COM