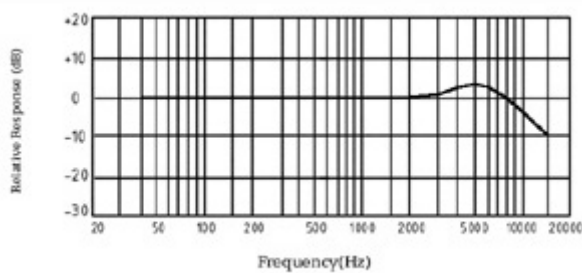


# 37242-MK

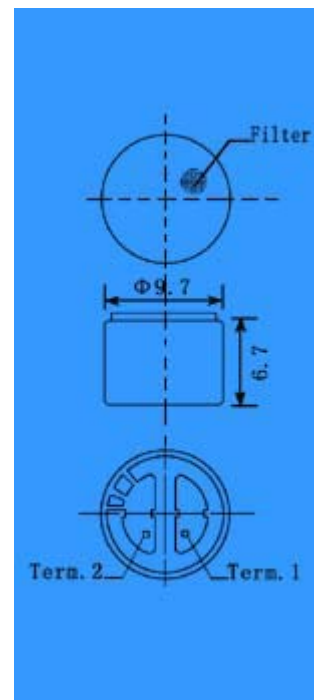
## CZN15E Omnidirectional Electret Condenser Microphone



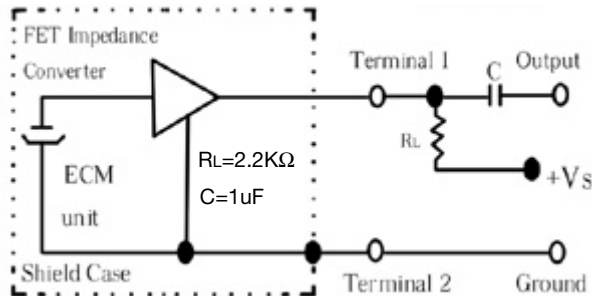
Typical Frequency Response Curve



Dimensional Drawing



Schematic Diagram



### Specifications

- Sensitivity:  $-44 \pm 3$ dB (0dB=1V/pa,1KHz)
- Impedance:  $\sim 2.2$  K $\Omega$
- Directivity: Omnidirectional
- Frequency: 20-16,000Hz
- Voltage range: 1.5V-10V
- Standard operating voltage: 4.5VDC
- Current consumption: Max.0.5mA
- Sensitivity reduction: Within -3dB at 3V
- S/N ratio:  $>60$ dB
- Terminal: Solder Pad/10mm Pins
- Temperature Range:  $-20^{\circ}\text{C}$  to  $+70^{\circ}\text{C}$

Information obtained from or supplied by Mpja.com or Marlin P. Jones and Associates inc. is supplied as a service to our customers and accuracy is not guaranteed nor is it definitive of any particular part or manufacturer. Use of information and suitability for any application is at users own discretion and user assumes all risk.