

37228-PS

Charge Control - Battery Protection Module

Adjustable Charge Controller with 3 digit LED display.
Set the low battery limit and battery High Cutoff limit to charge batteries. For Lead-acid batteries, Car battery, Lithium-ion battery.

Automatic Output Off when charged.

Input: DC 6-60VDC (Max 80V)

Output Voltage:

Set Low Limit (Charge) = 0.9x Battery Rating

Set High Limit (Charge Off) = 1.4x Battery Rating

Ex: 12V set output to 14.4V Low Limit to 10.8

Output Charge Current: Set by your charger
(Usually 0.1x battery capacity)

Display Accuracy:0.1V

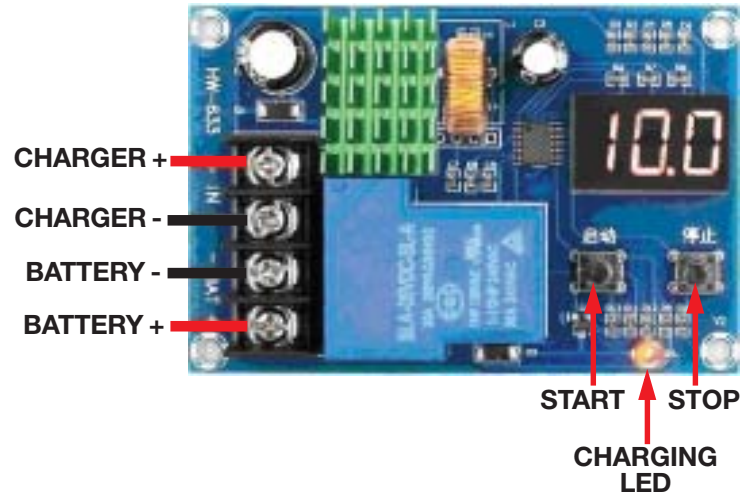
Control Accuracy:0.1V

Output Type: Relay Contact

Contact rated: 30A max@ 250VAC/30VDC

Terminal Strip Connections

L: 3-3/16" **W:** 2-1/8" **H:** 7/8" **WT:** .2



Instructions:

A. Set the Start Charge Voltage (Low Limit):

1. Display shows present battery voltage,
 - a. Press the Start Button, display shows the Start Charging Voltage Setting.
 - b. Press the Start Button for ~3 seconds, Display flashes
 - c. Use the Start and Stop Buttons to set the Start Charge voltage value.

B. Set Stop Charge Voltage (Upper Limit):

1. Display shows present battery voltage,
 - a. Press the Stop Button, display shows the Stop Charging Voltage Setting.
 - b. Press the Stop Button for ~3 seconds, Display flashes
 - c. Use the Start and Stop Buttons to set the Stop Charge voltage value.

C. Setting Error (Reset Factory Default): (Start Voltage is 12V, and the Stop Voltage is 14V)

- a. Press and hold the Start & Stop button while power is ON, Display shows "888",

NOTE:

1:When setting the voltage, if it stops at a certain value, and can not be set. You set the other voltage first, then set try the 1st. voltage again. There must be separation between "Start & Stop. This is not a circuit or program fault.

2: DO NOT MISSWIRE THE INPUT POWER. CIRCUIT FAILURE WILL OCCUR

Information including Drawings, Schematics, Links and Code (Software) Supplied or Referenced in this Document is supplied by MPJA inc. as a service to our customers and accuracy or usefulness is not guaranteed nor is it an Endorsement of any particular part, supplier or manufacturer. Use of information and suitability for any application is at users own discretion and user assumes all risk.

Information Subject to Change Without Notice
All rights are retained by the respective Owners/Author(s)



MARLIN P. JONES & ASSOC., INC.

P.O. Box 530400 Lake Park, FL 33403

800-652-6733 FAX 561-844-8764

WWW.MPJA.COM