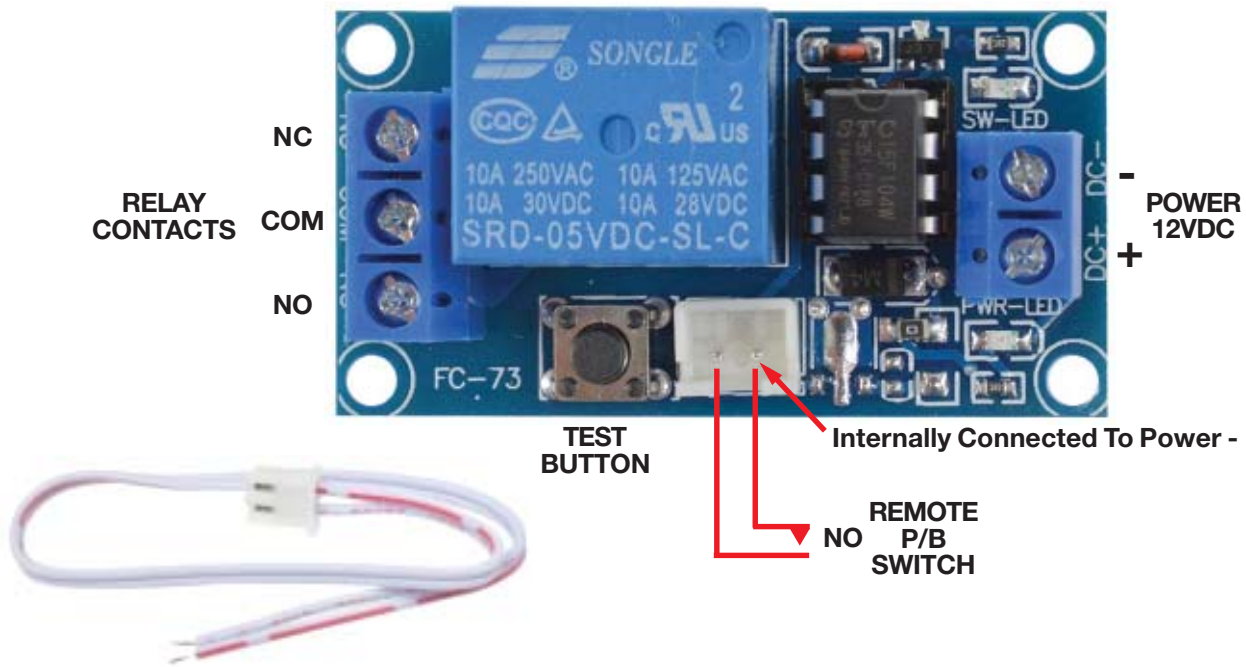


37054-MP

Bi-Stable (Latching) Relay Module



NOTE:

RELAY DEFAULTS TO NORMAL STATE OF COMMON CONNECTED TO NC CONTACT WHEN POWER REMOVED

Bi-Stable SPDT Latching relay module with isolated contacts
Dual Trigger methods: On-board P/B switch or header pins for external Input.
Power: 12VDC
Trigger Level: Low: <2.5V

Alternate Action: Trigger ON/Trigger OFF

RELAY:

Coil: 12VDC

Contacts: SPDT

Rated: 10A @ 250VAC/30VDC

Terminal Strips for Relay contacts & Power.

0.1" Pitch header with 7" pigtail for external trigger.

L: 2" **W:** 1" **HT:** 3/4" **WT:** .05

Information including Drawings, Schematics, Links and Code (Software) Supplied or Referenced in this Document is supplied by MPJA inc. as a service to our customers and accuracy or usefulness is not guaranteed nor is it an Endorsement of any particular part, supplier or manufacturer. Use of information and suitability for any application is at users own discretion and user assumes all risk.

Information Subject to Change Without Notice
All rights are retained by the respective Owners/Author(s)



MARLIN P. JONES & ASSOC., INC.

P.O. Box 530400 Lake Park, FL 33403

800-652-6733 FAX 561-844-8764

WWW.MPJA.COM