

5 4 3 2 1

D

D

C

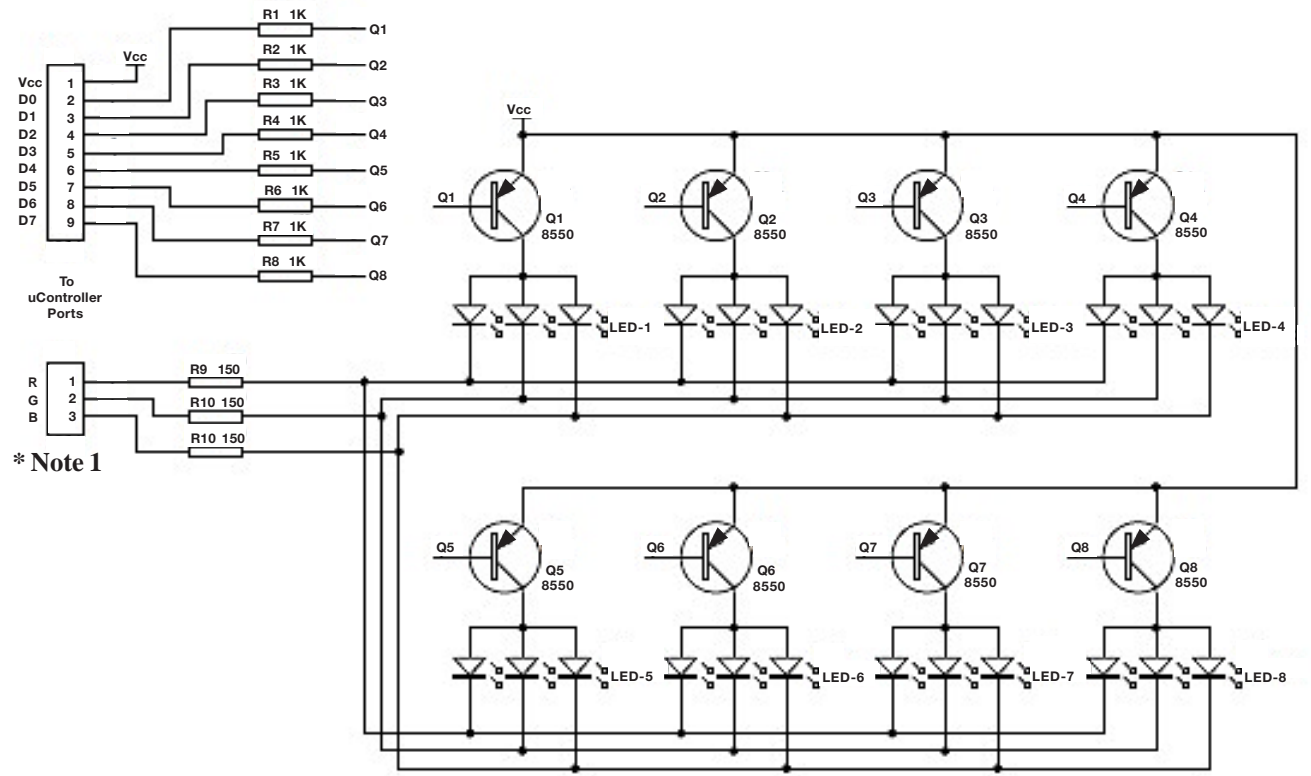
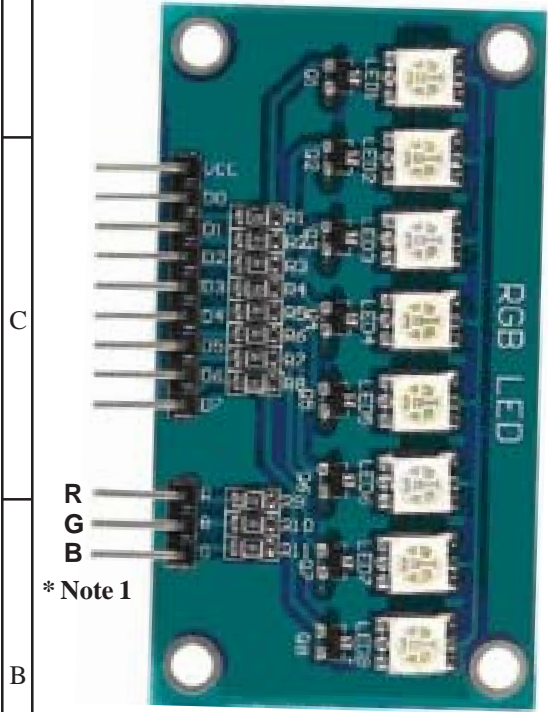
C

B

B

A

A



* Note 1

R
G
B
* Note 1

NOTE 1: Silkscreen of 3 Pin “RGB” Connector on Board is Incorrect! Above Picture and Schematic Shows Correction.

Information including Drawings, Schematics, Links and Code (Software) Supplied or Referenced in this Document is supplied by MPJA inc. as a service to our customers and accuracy or usefulness is not guaranteed nor is it an Endorsement of any particular part, supplier or manufacturer. Use of information and suitability for any application is at users own discretion and user assumes all risk.
All rights are retained by the respective Owners/Author(s)
Information is Subject to Change Without Notice

www.mpja.com		
Title 5050 x 8 RGB LED Board		
Size	Document Number 36805-MP	Rev. B
Date 4/23	Sheet	

5 4 3 2 1