

36688-PS

PS-28A Adjustable Mini Bench Supply

Compact, variable, bench top regulated switching power supply with dual LED Displays.

Front panel Power switch, Variable control & Binding posts for wire or banana plugs.

Input: 90-253VAC 50/60Hz

Output: Variable Voltage ~1.5-14VDC

Output Current: Limited @ 2A DC

NOTE: DOES NOT SWITCH TO CONSTANT CURRENT

Enters "Chirp" Mode where supply "Pulses" load until within limit

LED Display:

3 digit Volts: Resolution: 100mV

Accuracy: +-1% +2LSD

3 Digit Current: Resolution: 10mA

Accuracy: +-1% +2LSD

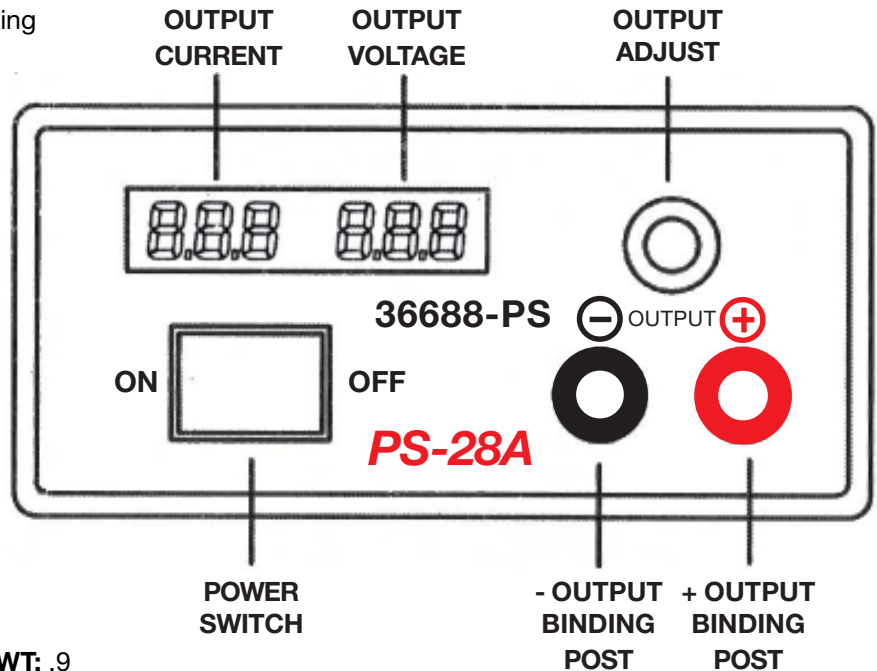
Operating Temperature: 0 to +40°C

Humidity: <90%

4-1/2ft. 2 wire Power Cord

CE & RoHS compliant.

W: 4-5/8" **H:** 2-1/4" **D:** 3-7/8" **H:** 5-1/2" O/A **WT:** .9



Information including Drawings, Schematics, Links and Code (Software) Supplied or Referenced in this Document is supplied by MPJA inc. as a service to our customers and accuracy or usefulness is not guaranteed nor is it an Endorsement of any particular part, supplier or manufacturer. Use of information and suitability for any application is at users own discretion and user assumes all risk.

Information Subject to Change Without Notice
All rights are retained by the respective Owners/Author(s)



MARLIN P. JONES & ASSOC., INC.

P.O. Box 530400 Lake Park, FL 33403

800-652-6733 FAX 561-844-8764

WWW.MPJA.COM