

36625-PS

Adjustable 1.2-36V DC/DC - 300W Buck Converter

Non Isolated, adjustable DC/DC Buck (Step Down)
constant voltage or constant current converter
(Supplies constant voltage until set current is reached
then constant current)

Not Reverse Polarity Protected

Input/Output Voltage Differential: 3Vmin

(Input must be higher than required output)

Input Voltage: DC 6-40V (10V to 40V is suggested)

Output Voltage: DC 1.2-36VDC

Output Ripple: ~ 50mV

Rated Current: 15A, 20A Max.

NOTE: Wattage Limited 300W Max. ($V \times I \times \text{Eff.} = W$)

Efficiency: 96% max (Nominal 86%)

Current Adj. (CC): sets the available current

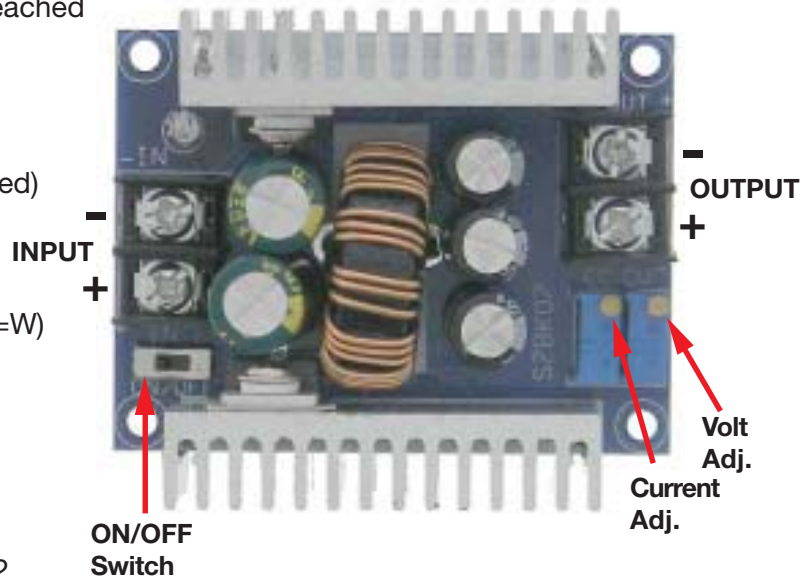
Operating Temperature: -10°C-75°C

(Fan Recommended if Heatsink >65°C)

Working frequency: 150KHZ

Terminal Strips for Input & Output

L: 2-5/16" W: 2-1/8" OA H: 1-1/8" WT: .2



Setting:

Voltage: Adjust the CV potentiometer to set the output voltage: Clockwise to increase, counterclockwise to decrease.

Current Limit: Turn the CC potentiometer counterclockwise to set the output current to the minimum.

For LED(s): Connect the Load (LED), and adjust the CC potentiometer to the current required using a current meter.

For battery charging: when the battery is discharged, Adjust the output voltage to the required voltage (Example: 12V Gellcell V=14.7V). connect battery to the output and adjust the CC potentioneter; using a current meter, to the recommended charge current you need. Do Not Exceed battery charge current & charge Time.

Information including Drawings, Schematics, Links and Code (Software) Supplied or Referenced in this Document is supplied by MPJA inc. as a service to our customers and accuracy or usefulness is not guaranteed nor is it an Endorsement of any particular part, supplier or manufacturer. Use of information and suitability for any application is at users own discretion and user assumes all risk.

Information Subject to Change Without Notice
All rights are retained by the respective Owners/Author(s)



MARLIN P. JONES & ASSOC., INC.

P.O. Box 530400 Lake Park, FL 33403

800-652-6733 FAX 561-844-8764

WWW.MPJA.COM