

# 36622-MI

## Battery Low Voltage Protection Module

Non-isolated, DC voltage disconnect relay module for preventing over discharge of batteries. Relay opens and buzzer sounds when Input voltage drops below adjustable limit,

Input: 12V Battery

Current Used: ~12mA Normal  
~100mA Alarming

Load: 30A max @ 14V

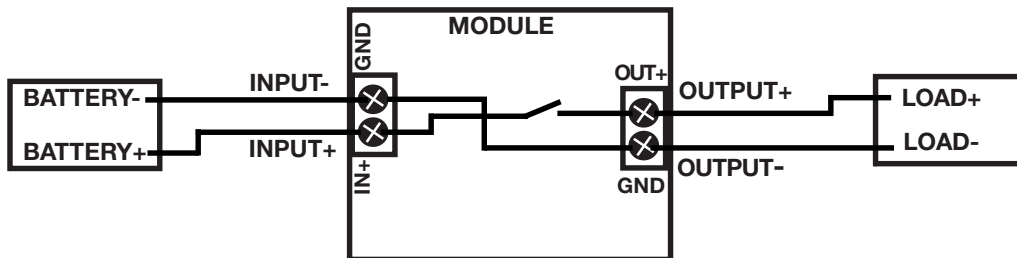
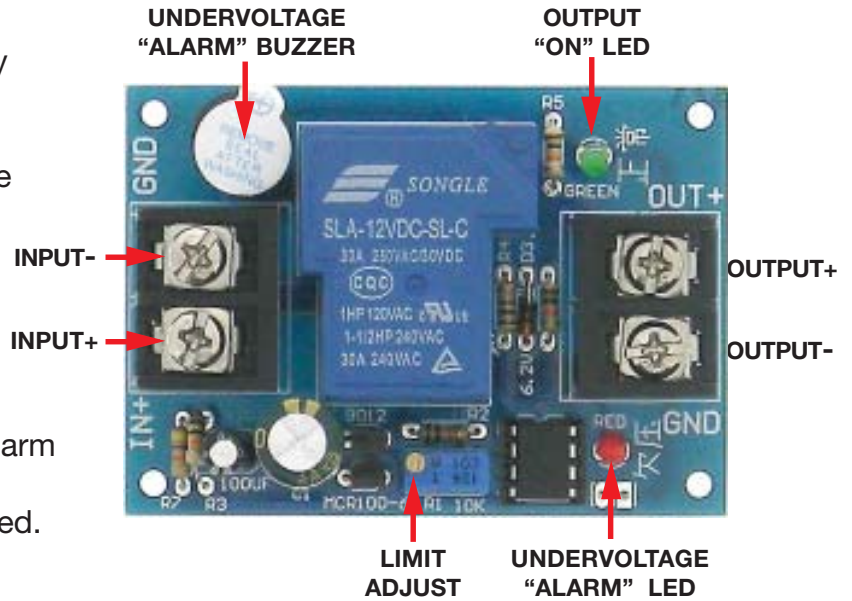
Time Delay: ~5-20Sec. Fixed

Clockwise turn of pot raises the voltage alarm point.

Reset requires the input voltage be removed.

Connections: Terminal Strips

L: 2-3/4" W: 2" H: 1" WT: .13



Information including Drawings, Schematics, Links and Code (Software) Supplied or Referenced in this Document is supplied by MPJA inc. as a service to our customers and accuracy or usefulness is not guaranteed nor is it an Endorsement of any particular part, supplier or manufacturer. Use of information and suitability for any application is at users own discretion and user assumes all risk.

Information Subject to Change Without Notice  
All rights are retained by the respective Owners/Author(s)



**MARLIN P. JONES & ASSOC., INC.**

P.O. Box 530400 Lake Park, FL 33403  
800-652-6733 FAX 561-844-8764  
WWW.MPJA.COM