

36469-HD

Pneumatic Flow Control

Sold as a Pack of 2

"Push to Connect" pneumatic inline Flow Control coupler. Allows for the adjustment of flow passing through, enabling the management pneumatic equipment. Thumb-knob/screwdriver slot for adjustment.

For Air or Vacuum use.

2 mounting 3.5mm Holes

Tubing: 6mm" O/D PE (Polyethylene), PA (Nylon) or PU (Polyurethane)

Working Pressure: ~990 Kpa

Vacuum: -100Kpa

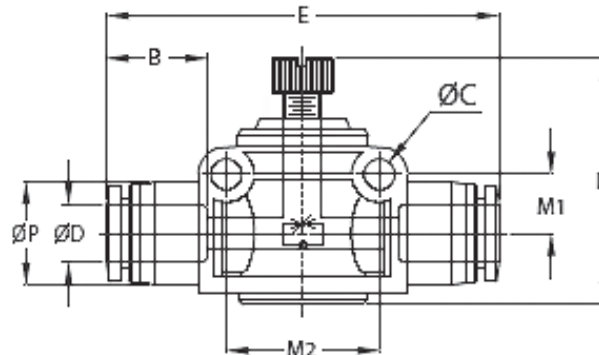
Body: PBT (Polybutylene)

"O" Ring: NBR

Lock Clamp/Ring: Stainless Steel

Lock Sleeve: POM (Acetal)

L: ~1-3/4" **H:** ~1-1/8" **Body T:** ~9/32" **WT:** .15/pack



ØD	ØP	B	E	ØC	M1	M2	L
6mm	13mm	12mm	46mm	3.5 mm	8 mm	20.2mm	Adj.

Information including Drawings, Schematics, Links and Code (Software) Supplied or Referenced in this Document is supplied by MPJA inc. as a service to our customers and accuracy or usefulness is not guaranteed nor is it an Endorsement of any particular part, supplier or manufacturer. Use of information and suitability for any application is at users own discretion and user assumes all risk.

Information Subject to Change Without Notice
All rights are retained by the respective Owners/Author(s)



MARLIN P. JONES & ASSOC., INC.

P.O. Box 530400 Lake Park, FL 33403
800-652-6733 FAX 561-844-8764
WWW.MPJA.COM