

36468-HD

PUT 6 Pneumatic "TEE" 6mm

Sold as a Pack of 5pcs

"Push to Connect" pneumatic Tube Fitting for Air or Vacuum use. 2 mounting 3mm Holes

Tubing: 6mm O/D PE (Polyethylene), PA (Nylon) or PU (Polyurethane)

Working Pressure: ~990 Kpa

Vacuum: -100Kpa

Body: PBT (Polybutylene)

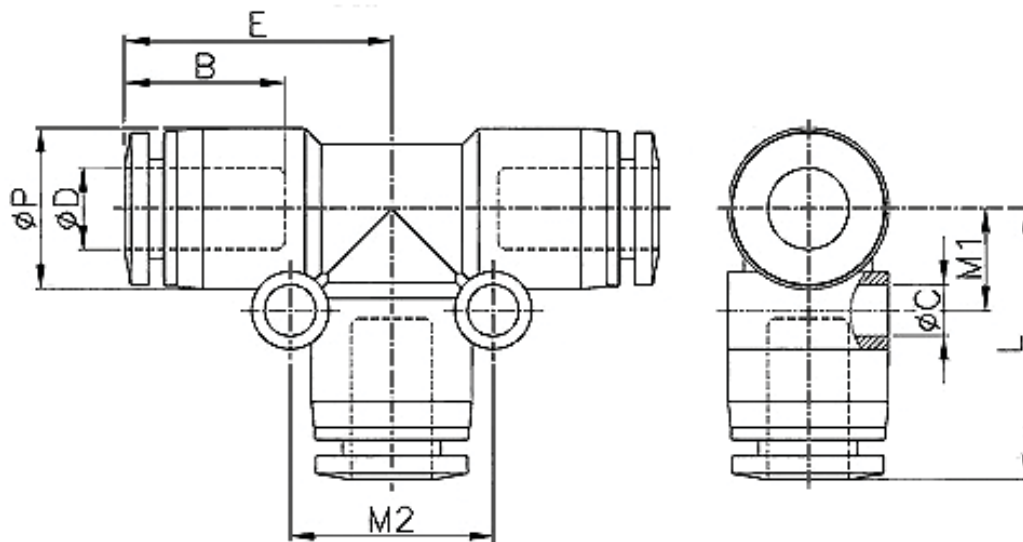
"O" Ring: NBR

Lock Clamp/Ring: Stainless Steel

Lock Sleeve: POM (Acetal)

Max Temperature: ~70°C

L: 1-1/2" **W:** 1" **T:** ~1/2" **WT:** .1/ Pack of 5



ØD	ØP	L	E	ØC	B	M1	M2
6mm"	13mm	21.3mm	21.3mm	3 mm	16.8mm	8.3mm	15mm

Information including Drawings, Schematics, Links and Code (Software) Supplied or Referenced in this Document is supplied by MPJA inc. as a service to our customers and accuracy or usefulness is not guaranteed nor is it an Endorsement of any particular part, supplier or manufacturer. Use of information and suitability for any application is at users own discretion and user assumes all risk.

Information Subject to Change Without Notice
All rights are retained by the respective Owners/Author(s)



MARLIN P. JONES & ASSOC., INC.

P.O. Box 530400 Lake Park, FL 33403

800-652-6733 FAX 561-844-8764

WWW.MPJA.COM