

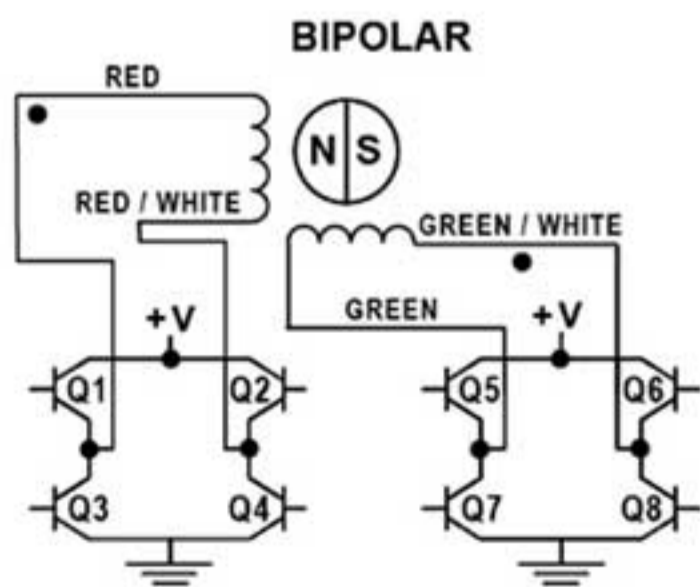
36435 MS

Part No.	Captive	43M4(X)-V		
Wiring	Units	Bipolar		
Step Angle	Degree	1.8°		
Winding Voltage	VDC	2.33		
Current/Phase	A rms	2.6		
Resistance/Phase	ohms (Ω)	0.9		
Inductance/Phase	mH	1.33		
Power Input	Watts	13.2		
Rotor Inertia	gcm²	78		
Insulation Class		Class B		
Weight	oz (g)	12.5(352)		
Insulation resistance	M(Ω)	20		

Standard motors are Class B rated for a maximum temperature of 130°C

Linear Travel / Step			
Screw Ø	inches	mm	Code ID
0.250" (6.35 mm)	0.00375	0.0953	AG

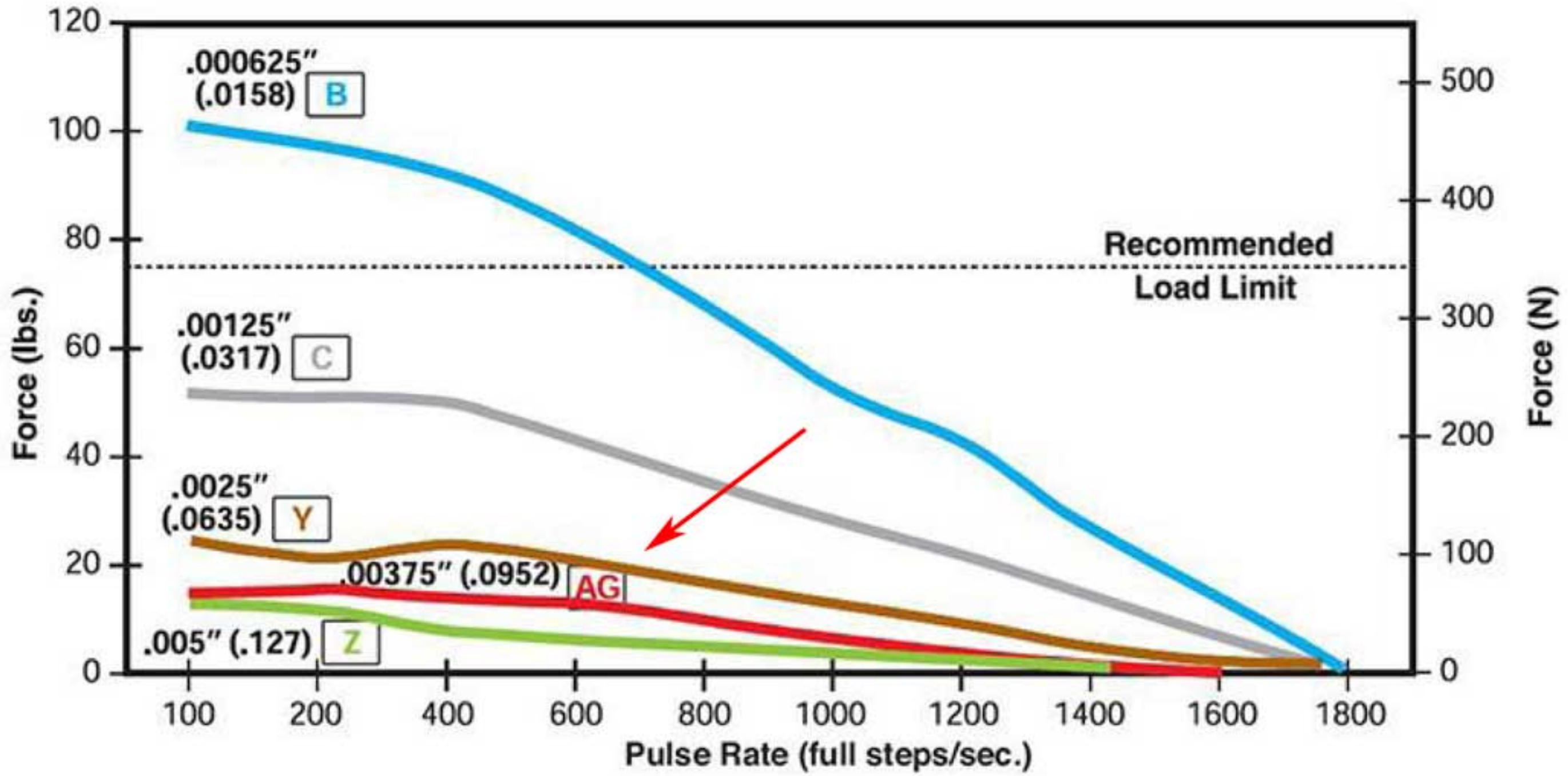
Stepping Sequence-Hybrid Linear Actuator



	Bipolar	Q2-Q3	Q1-Q4	Q6-Q7	Q5-Q8	
	Unipolar	Q1	Q2	Q3	Q4	
	Step					
Extend CW ↓	1	ON	OFF	ON	OFF	Retract CCW ↑
	2	OFF	ON	ON	OFF	
	3	OFF	ON	OFF	ON	
	4	ON	OFF	OFF	ON	
	1	ON	OFF	ON	OFF	

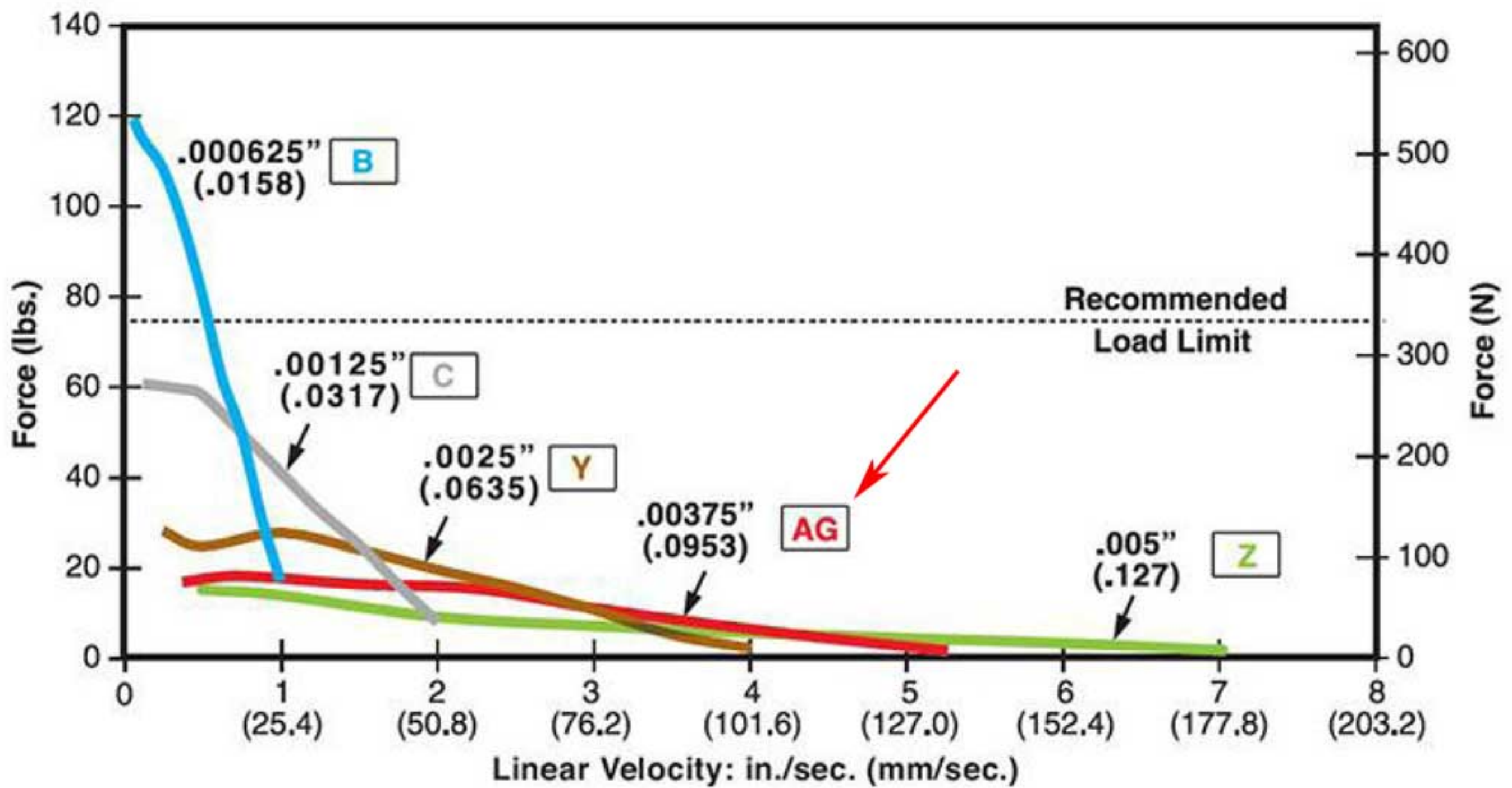
FORCE vs. PULSE RATE

Chopper, Bipolar, 100% Duty Cycle, Ø .250 (6.35) Lead Screw
8:1 Motor Coil to Drive Supply Voltage



FORCE vs. LINEAR VELOCITY

Chopper, Bipolar, 100% Duty Cycle, Ø .250 (6.35) Lead Screw
8:1 Motor Coil to Drive Supply Voltage



NOTE: All chopper drive curves were created with a 5 volt motor and a 40 volt power supply.