

36210 MI

Compact Hand Metal Detector

1. General

Designed for use in/as a hand held detecto

Compact, palm sized metal detector. Most sensitive with ferrous metals, less so with other metals.

USES

- 1: Security Checks
- 2: General Metal Detection
- 3: Stud/Nail Detection
- 4: Position/Proximity Detection
- 5: Prototype Equipment Design
- 6: Incorporation in Other Equipment
- 7: Games and Entertainment



2. Specifications

Parameter	Value
Operating Voltage	3-5VDC
Operating Current	40mA
Standby Current	5mA
Detection Range	~2-3/8" (60mm)
Detection Indication	Sound/LED Light
Size	3-3/8" x 2-3/8" (86 x 61mm)

Information including Drawings, Schematics, Links and Code (Software) Supplied or Referenced in this Document is supplied by MPJA inc. as a service to our customers and accuracy or usefulness is not guaranteed nor is it an Endorsement of any particular part, supplier or manufacturer. Use of information and suitability for any application is at users own discretion and user assumes all risk.

Information Subject to Change Without Notice
All rights are retained by the respective Owners/Author(s)



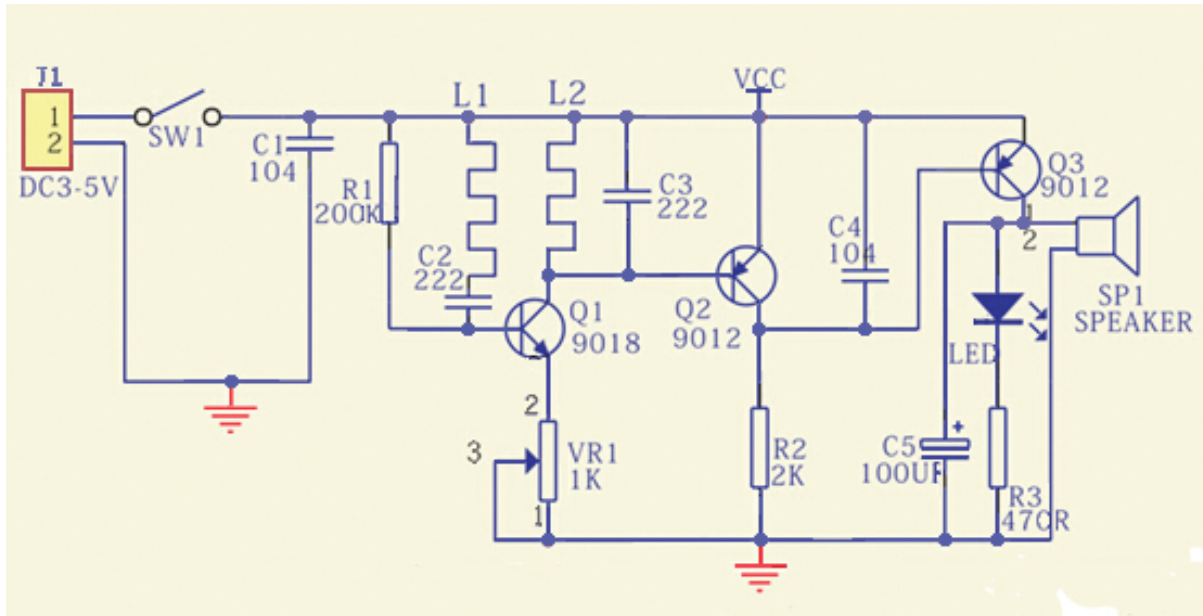
MARLIN P. JONES & ASSOC., INC.

P.O. Box 530400 Lake Park, FL 33403
800-652-6733 FAX 561-844-8764
WWW.MPJA.COM

36210 MI

Compact Hand Metal Detector

3. Schematic



4. Parts list

Location	Component Type	Value
R3	Metal Film Resistor	470 ohm
R2	Metal Film Resistor	2K ohm
R1	Metal Film Resistor	200K ohm
VR1	Potentiometer	100 ohm (101)
C2,C3	Ceramic Capacitor	0.022uf
C1,C4	Ceramic Capacitor	0.1uf
C5	Electrolytic Capacitor	100uf
LED1	Red LED	5mm
Q2.Q3	S9012	TO-92
Q1	S9018	TO-92
SW1	Power Switch	6 x 5mm
SP1	Buzzer	12mm Dia
J1	Terminal Strip	KF301-2P

5. Setup/Use

Apply 5V to the unit and adjust the sensitivity pot until buzzer beeps, back off slightly. Place near metal and the detector will sound. Fine adjustments will make detector sense better.