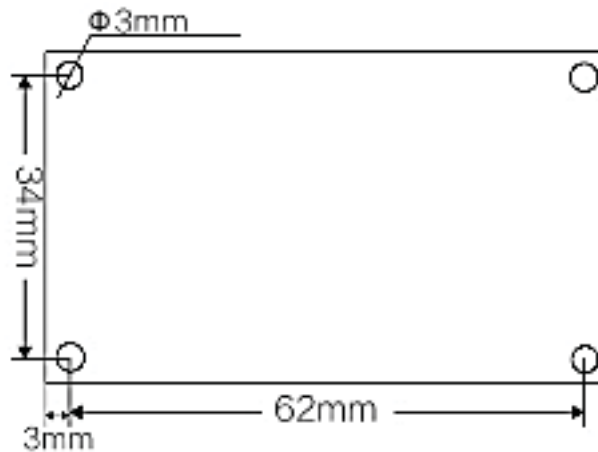
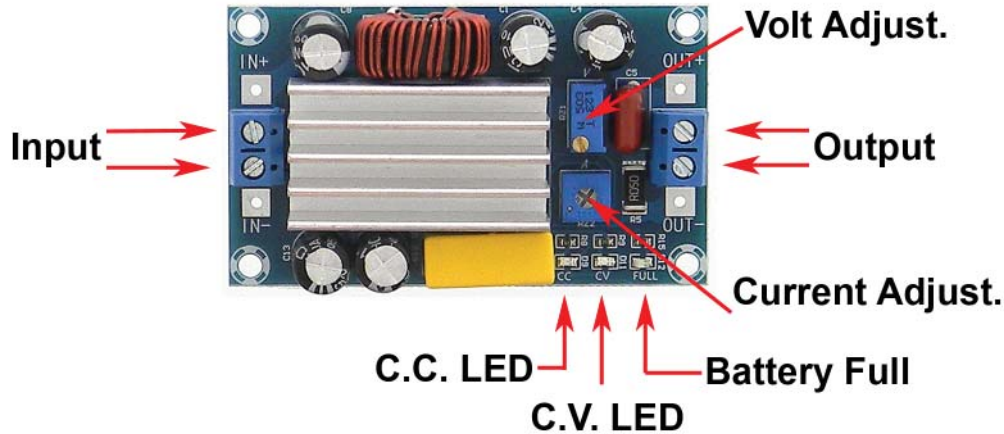


36140 PS



Non Isolated, adjustable DC/DC Converter with adjustable Constant Voltage out or adjustable Constant Current output for charging batteries or driving LEDs

Input: 5-30VDC Output: 0.5-30VDC

Rated Current: 3Amp Max with a 90 Watt limit

Current limit: adjustable 0-3 Amp by on board Potentiometer

Voltage: adjustable 0.5-30 Volt DC by on board Potentiometer

Three LED indicators: Blue = Voltage, Red = Current Control and Green = Battery Full.

Green LED "Full" lights as a percentage of the current settings. Example C.C. set at 3 Amps

LED will light at >40mA, C.C. set at 1.5 Amp LED will light at >20mA

L: 2-3/16" W: 1-1/16" H: 7/8" WT: .1

Information Supplied or Referenced in this Document is supplied by MPJA inc. as a service to our customers and accuracy or usefulness is not guaranteed Use of information and suitability for any application is at users own discretion and user assumes all risk.