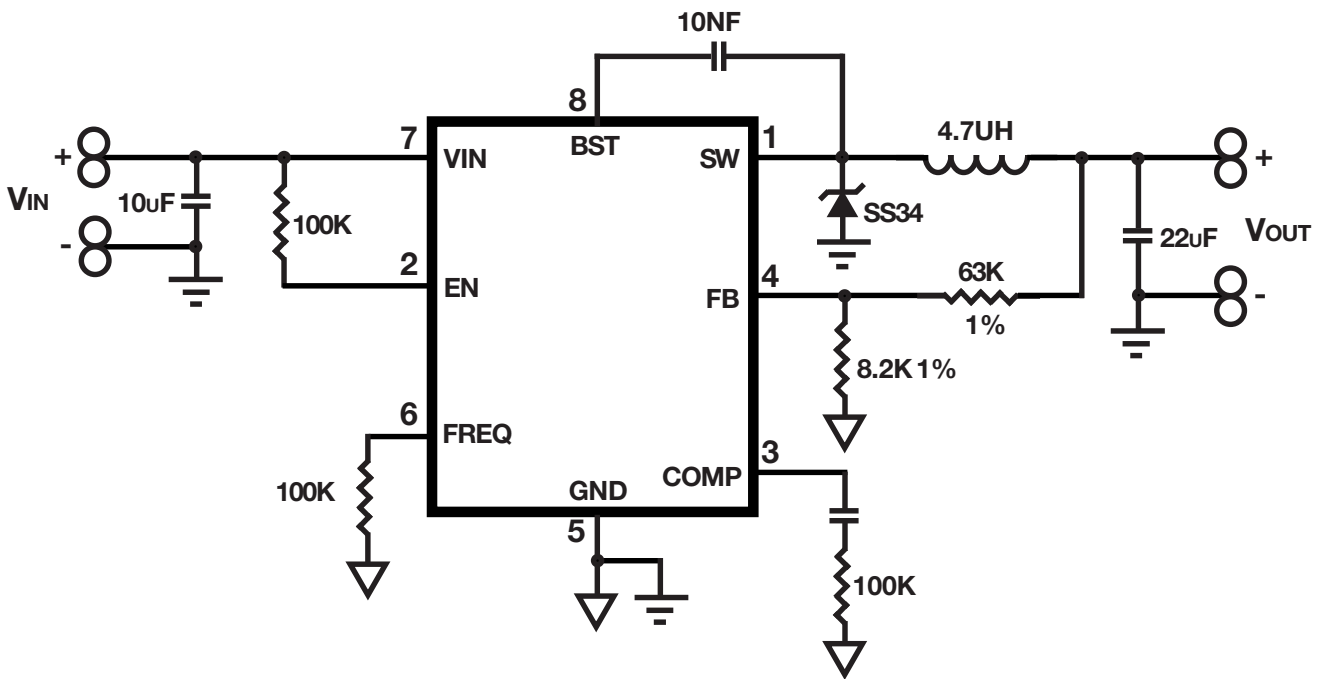


35947-PS

5V Micro Buck Converter

Fixed 5VDC Output
 Non Isolated, Buck (Step Down) switching DC/DC Converter board. Ideal Point-of-Use regulator
 Input: 7-28VDC
 Output: 5VDC
 Minimum Vin-Vout: 2V
 Rated Current: 3A (1.5A Continuous)
Heatsink Required above 10W
 L: 7/8" W: 11/16" H: 3/16" WT: .01



Information including Drawings, Schematics, Links and Code (Software) Supplied or Referenced in this Document is supplied by MPJA inc. as a service to our customers and accuracy or usefulness is not guaranteed nor is it an Endorsement of any particular part, supplier or manufacturer. Use of information and suitability for any application is at users own discretion and user assumes all risk.

Information Subject to Change Without Notice
 All rights are retained by the respective Owners/Author(s)



MARLIN P. JONES & ASSOC., INC.

P.O. Box 530400 Lake Park, FL 33403
 800-652-6733 FAX 561-844-8764
 WWW.MPJA.COM