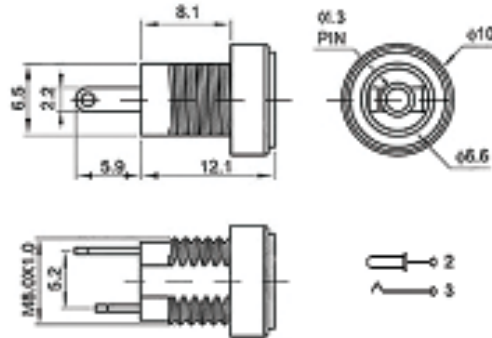


35887-PL

Coaxial Jack 3.5/1.3mm

Panel or chassis mount coaxial power jack.
Port: 3.5mm OD x 1.3mm ID
Rated Load: 3A @ 30VDC
2 Terminal Non-Bridging
Solder Terminals
Short Terminal: Center Pin
Long Terminal: Shell (Sleeve)
Hole Size: 8mm M8x1 Threaded Body
DIA: 10mm **L:** 12.1mm **Body WT:** .01



Information including Drawings, Schematics, Links and Code (Software) Supplied or Referenced in this Document is supplied by MPJA inc. as a service to our customers and accuracy or usefulness is not guaranteed nor is it an Endorsement of any particular part, supplier or manufacturer. Use of information and suitability for any application is at users own discretion and user assumes all risk.

Information Subject to Change Without Notice
All rights are retained by the respective Owners/Author(s)



MARLIN P. JONES & ASSOC., INC.

P.O. Box 530400 Lake Park, FL 33403
800-652-6733 FAX 561-844-8764
WWW.MPJA.COM