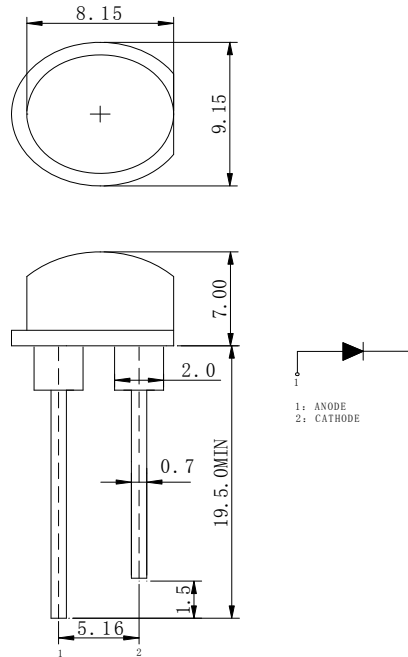


# 35836-OP

## LED Product Specifications

Part Number:	35836-OP
Name:	Φ8 Straw Hat 0.75W White
VER:	Page 1 of 3

### 1. Dimensions



Description: (1) units: mm; All tolerances are  $\pm .15$  mm.

### 2. Maximum use conditions (Ta= 25°C)

Item	Symbol	Value	Unit of Measure
Current Max DC	I <sub>F</sub>	200	mA
Pulsed Current <sup>①</sup>	I <sub>FP</sub>	250	mA
Reverse Voltage	V <sub>R</sub>	5	V
Operating Temp.	T <sub>opr</sub>	-40 ~ 85	°C
Storage Temp.	T <sub>stg</sub>	-40 ~ 85	°C
Solder Temp <sup>②③</sup>	T <sub>sol</sub>	260	°C

Notes: ①Pulse Width≤10msec, Duty Cycle≤1/10

②Space between Solder & Base≥3mm, Dwell Time: <5sec

③The equipment must be fully grounded.

### 3. Optical Parameters ( Ta = 25°C)

Test	Symbol	Condition	Min	Typ.	Max.	Unit
Power	P <sub>D</sub>	I <sub>F</sub> 200mA		350		mW
Forward V	V <sub>F</sub>	I <sub>F</sub> =200mA	3.0	3.0	3.4	V
Reverse I	I <sub>R</sub>	V <sub>R</sub> =5V	0		1	μ A
Color	(X,Y)	I <sub>F</sub> = 200mA	7000		9000K	*See Note
Flux	ϕ V	I <sub>F</sub> = 200mA	55		65	Lumens
½ Angle	20½	I <sub>F</sub> = 200mA		60		° Degrees

**Note: \* Please refer to the product color coordinates for details Page3 Shipping BIN Chart**

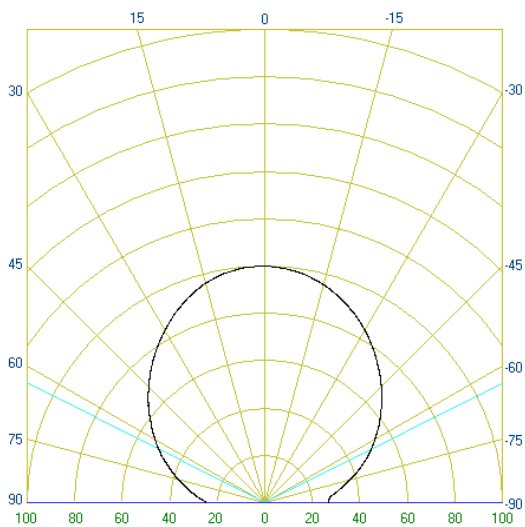
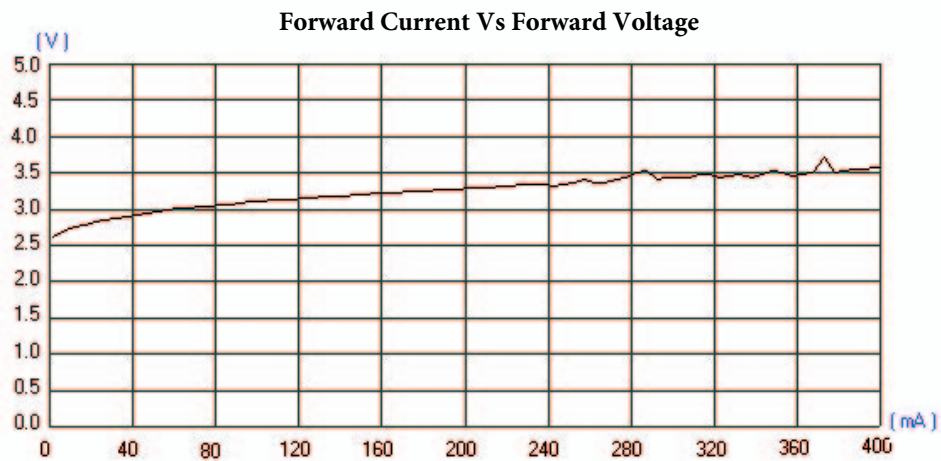
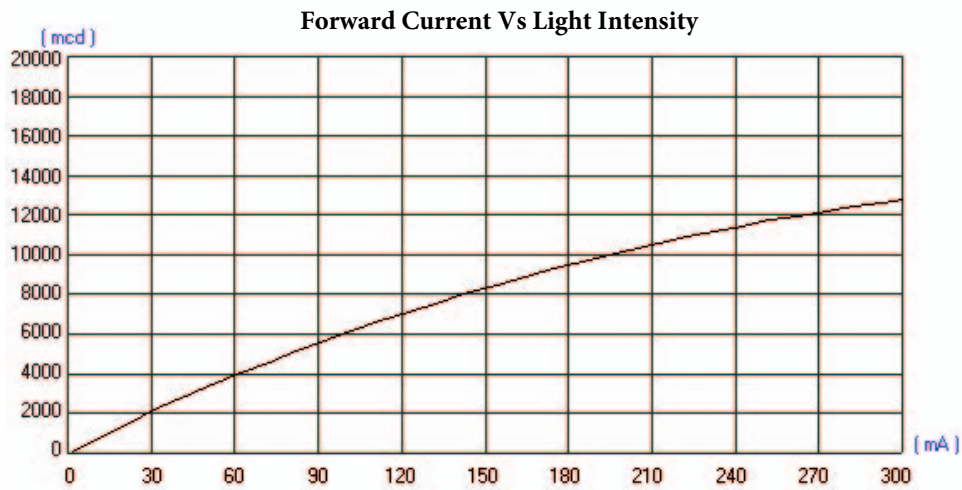
# LED Product Specifications

Part Number: 35836-OP

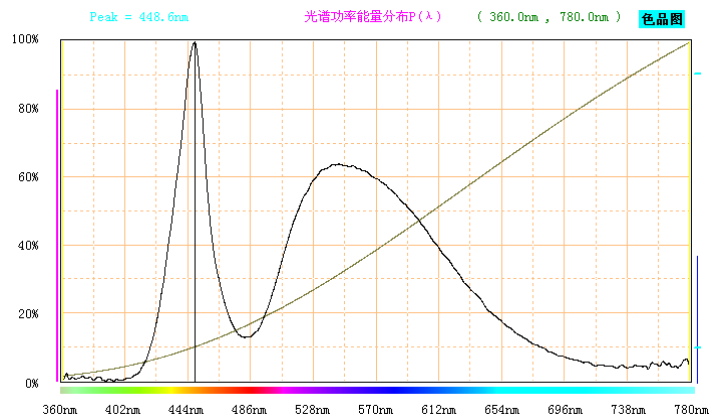
Name:  $\Phi$ 8 Straw Hat 0.75W White

VER: Page 2 of 3

## 4. Characteristic curves (Ta = 25°C)



Light Intensity Angle Distribution



Spectral Power Energy Profile

# LED Product Specifications

Part Number: 35836-OP  
 Name: Φ8 Straw Hat 0.75W White  
 VER: Page 3 of 3

## 5. Product shipment BIN table

