

35721-TE

Resistive Sensor Sub Box

Novel resistor Substitution Box used to simulate some resistive automotive sensors in 12 or 24VDC systems.

By Substituting the Box for a sensor you can check the sensor & ECU (Engine Control Unit).

Ranges: 0-1K, 0-10K, 0-100K & 0-1M ohms

NOTE: These ranges are independent from each other.

24in. color coded Leads with Alligator Clips.

H: 5-1/2" **W:** 2-5/8" **T:** 2" O/A **WT:** .5

GENERAL OPERATION

Set the Range Switch (# 4) for the sensor resistance range.

For Fixed Value USE: Black (#2) & Red (#3) Leads

For a Variable Value (Depends on Range Switch Setting)

USE: Black (#2) & Green (#1) Leads, Value is 0-Max CW

USE: Green (#1) & Red (#3) Leads, Value is Max-0 CW

Adjust the Pot (#5/6/7 or 8) according to Range Switch

EX:

For a Fixed Resistance of 10K: Set Range switch to "10K"

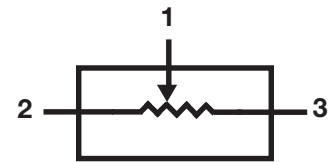
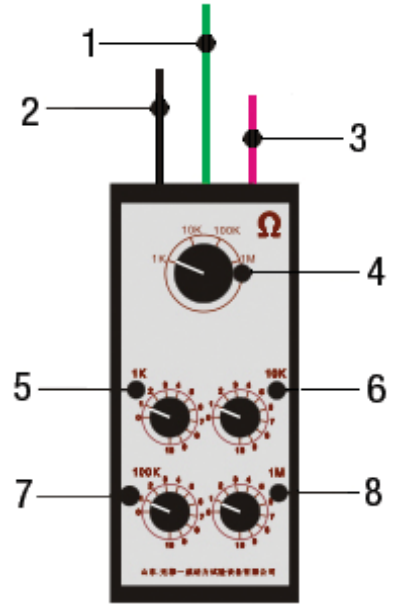
USE: Black (#2) & Red (#3) Leads

For a Variable Resistance Between 0-100K

USE: Black (#2) & Green (#1) Clock Wise Increase Value

For a Variable Resistance Between 100K-0

USE: Red (#3) & Green (#1) Clock Wise Decrease Value



ITEM #	DESC.	FUNCTION
1	GREEN LEAD	"WIPER"
2	BLACK LEAD	LOW END
3	RED LEAD	HIGH END
4	RANGE SWITCH	1k/10K/100K/1M
5	1K OHM POT	0-1K
6	10K OHM POT	0-10K
7	100K OHM POT	0-100K
8	1M OHM POT	0-1M

Information including Drawings, Schematics, Links and Code (Software) Supplied or Referenced in this Document is supplied by MPJA inc. as a service to our customers and accuracy or usefulness is not guaranteed nor is it an Endorsement of any particular part, supplier or manufacturer. Use of information and suitability for any application is at users own discretion and user assumes all risk.

Information Subject to Change Without Notice
All rights are retained by the respective Owners/Author(s)



MARLIN P. JONES & ASSOC., INC.

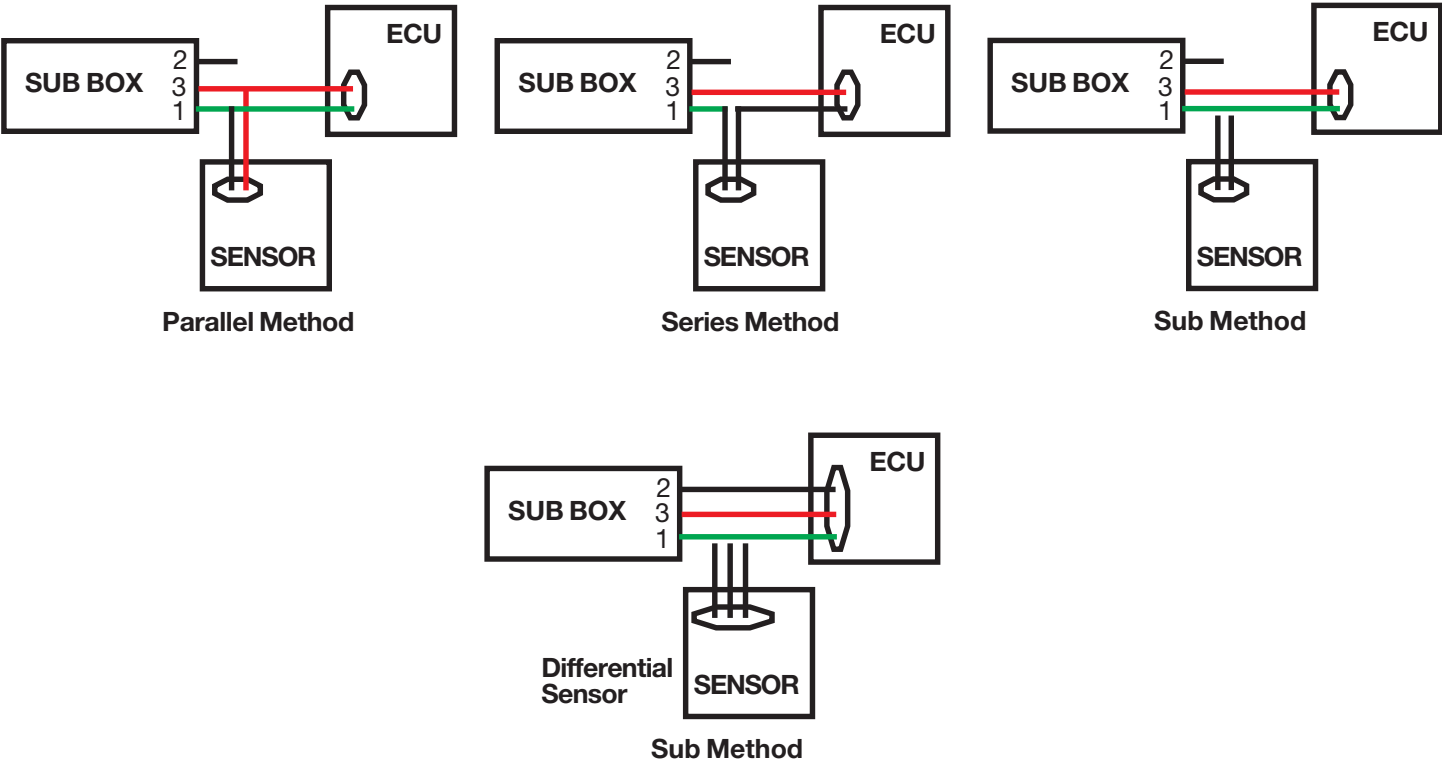
P.O. Box 530400 Lake Park, FL 33403
800-652-6733 FAX 561-844-8764
WWW.MPJA.COM

35721-TE

Resistive Sensor Sub Box

SIMPLIFIED CONNECTIONS

ANALOG TEMPERATURE SENSORS



Information including Drawings, Schematics, Links and Code (Software) Supplied or Referenced in this Document is supplied by MPJA inc. as a service to our customers and accuracy or usefulness is not guaranteed nor is it an Endorsement of any particular part, supplier or manufacturer. Use of information and suitability for any application is at users own discretion and user assumes all risk.

Information Subject to Change Without Notice
All rights are retained by the respective Owners/Author(s)



MARLIN P. JONES & ASSOC., INC.

P.O. Box 530400 Lake Park, FL 33403
800-652-6733 FAX 561-844-8764
WWW.MPJA.COM