

35496-MP

Adj. Overcurrent Sensor for Microcontrollers

Can connect to Controller or Stand Alone

AC inductive alternating current sensor module for load protection with digital and analog outputs. Adjustable set point for the onboard relay and a digital output pin.

Power: 5VDC

Current: ~5mA

Load Current: 0-50AAC

Trip Current Adj. Resolution: 0.3A

Response Time: ~ 50mS

Relay: SPDT

Contacts: 10A 250/125VAC/30VDC

Current Sensor Hole Dia: 8.1mm

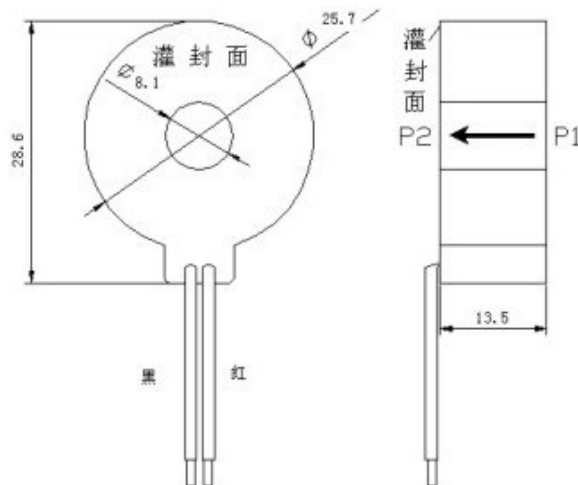
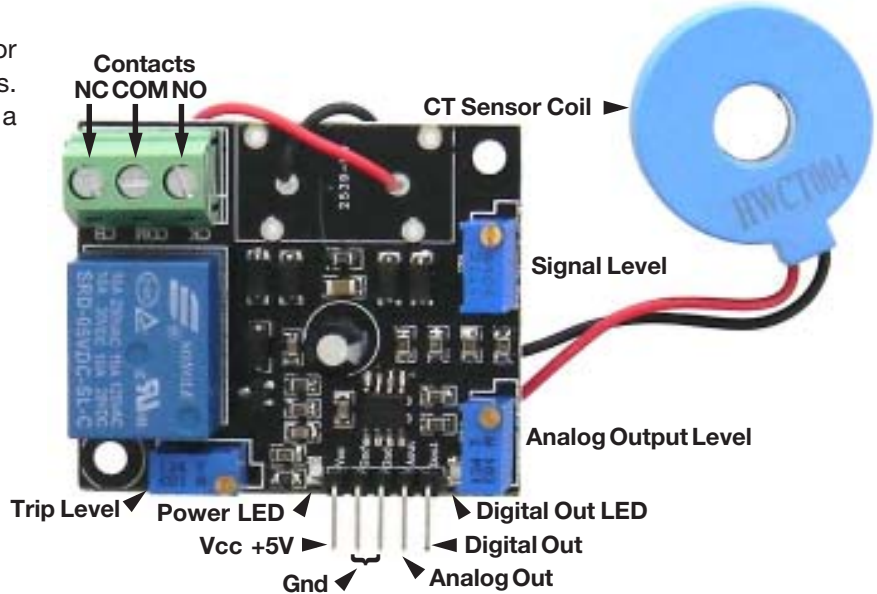
Sensor Leads: 5in.

LED for Power & Digital Output Overcurrent

Connections: Controller: 0.1Pitch Header Pins

Relay Contacts: Terminal Strip.

L: 1-1/16" **W:** 1-9/16" (Board) **H:** 3/4" **WT:** .1



Information including Drawings, Schematics, Links and Code (Software) Supplied or Referenced in this Document is supplied by MPJA inc. as a service to our customers and accuracy or usefulness is not guaranteed nor is it an Endorsement of any particular part, supplier or manufacturer. Use of information and suitability for any application is at users own discretion and user assumes all risk.

Information Subject to Change Without Notice
All rights are retained by the respective Owners/Author(s)



MARLIN P. JONES & ASSOC., INC.

P.O. Box 530400 Lake Park, FL 33403

800-652-6733 FAX 561-844-8764

WWW.MPJA.COM