

# RCW9185 HX-JE /PS3120A Boost Supply

## Description

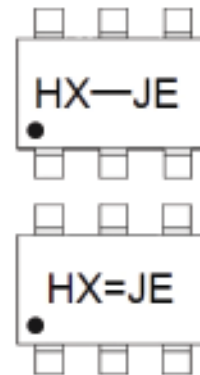
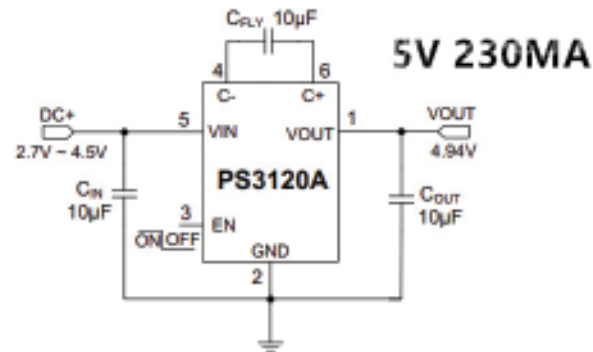
The PS3120A is a low noise switched capacitor voltage doubler. It produces a regulated output voltage from a 2.7V to 4.5V input. Low external parts count (one flying capacitor and two small bypass capacitors at VIN and VOUT) make the PS3120A ideally suited for small, battery-powered applications.

The PS3120A have thermal shutdown capability and can survive a continuous short circuit from VOUT to GND. A low current shutdown feature disconnects the load from VIN and reduces quiescent current to  $<1\mu\text{A}$ .

The PS3120A is available in the industry standard SOT-23-6L power packages.

## Features

- Fixed 4.94V $\pm$ 3% Output
- VIN Range: 2.7V to 4.5V
- Output Current: Up to 110mA (VIN $\geq$ 3V)  
Up to 230mA (VIN $\geq$ 3.6V)
- Low Noise Constant Frequency (360kHz) Operation
- Shutdown Current  $<1\mu\text{A}$
- No Inductors
- Available in Low Profile 6-Lead SOT23 Package



Information including Drawings, Schematics, Links and Code (Software) Supplied or Referenced in this Document is supplied by MPJA inc. as a service to our customers and accuracy or usefulness is not guaranteed nor is it an Endorsement of any particular part, supplier or manufacturer. Use of information and suitability for any application is at users own discretion and user assumes all risk.

All rights are retained by the respective Owners/Author(s)  
Information is Subject to Change Without Notice

[www.mpja.com](http://www.mpja.com)

Title <b>Heart Rate/O2 Sensor Module</b>		
Size	Document Number <b>35492-MP</b>	Rev.
Date	Sheet	