

35479-MP

3 Channel Variable Frequency/Duty Cycle Generator

Variable frequency & Pulse Width Generator module with back lit LCD Display.

P B switches used to set the Frequency & Duty Cycle,

Note the Frequency is the same for all channels

Auto save prevents setting loss due to power fail.

Power: 3.3 ~ 30VDC

Frequency: 1Hz ~ 150KHz;

4 ranges auto switching

A: 1-999Hz

B: 1KHz-9.99KHz

C: 10KHz-99.9KHz

D: 100KHz--150KHz

Duty Cycle ~0-99%

Accuracy: ~ 2%;

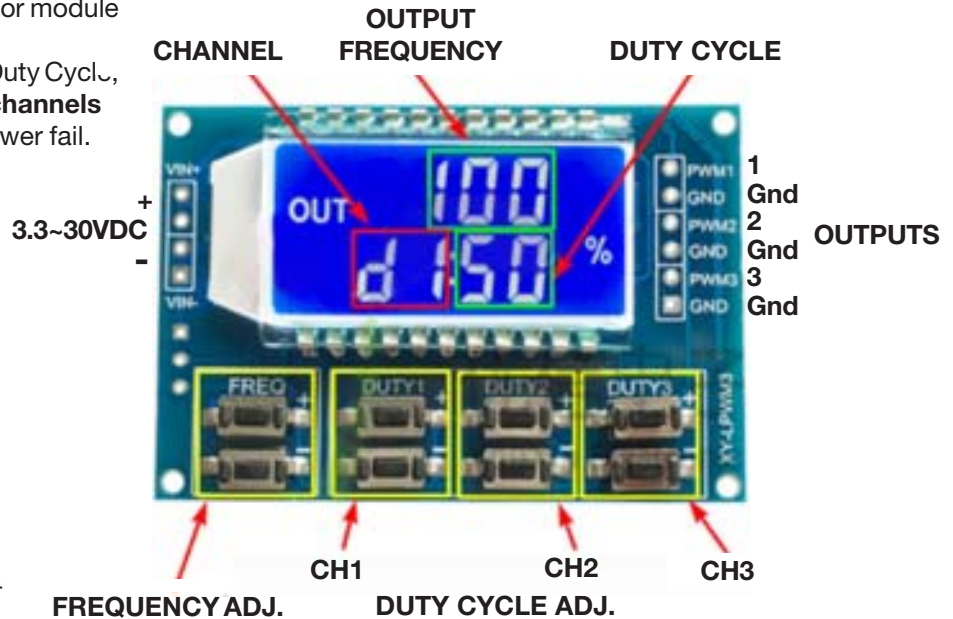
Max Output Current: <30ma;

Output Voltage: ~Vcc (Input V)

Ambient temperature: -20 ~ +50 "C"

Connections: Solder Holes (0.1 Pitch)

W: 55mm H: 38mm D: 10mm WT: .04



OPERATION

The 8 Pushbutton switches are used to set the Frequency and Duty Cycle,
Short press for a single unit increase or decrease
Long press for rapid increase or decrease

DISPLAY

Frequency: Note the position of the Decimal Point

1-999Hz	Display Shows 123 (no decimal Pt.)	Resolution 1Hz
1KHz-9.99KHz	Display Shows 1.23	Resolution 10Hz
10KHz-99.9KHz	Display Shows 12.3	Resolution 100Hz
100KHz--150KHz	Display Shows 1.2.3	Resolution 1KHz

Information including Drawings, Schematics, Links and Code (Software) Supplied or Referenced in this Document is supplied by MPJA inc. as a service to our customers and accuracy or usefulness is not guaranteed nor is it an Endorsement of any particular part, supplier or manufacturer. Use of information and suitability for any application is at users own discretion and user assumes all risk.

Information Subject to Change Without Notice
All rights are retained by the respective Owners/Author(s)



MARLIN P. JONES & ASSOC., INC.

P.O. Box 530400 Lake Park, FL 33403
800-652-6733 FAX 561-844-8764
WWW.MPJA.COM