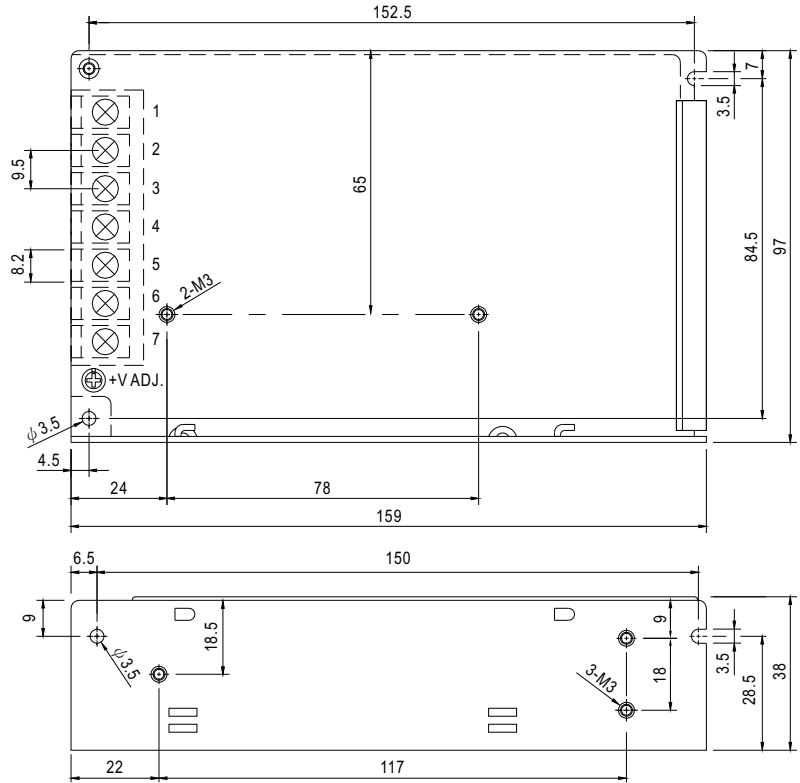


# 35388-PS

## 100W Single Output Switching Power Supply

### Mechanical Specification

Case No. 901 Unit:mm

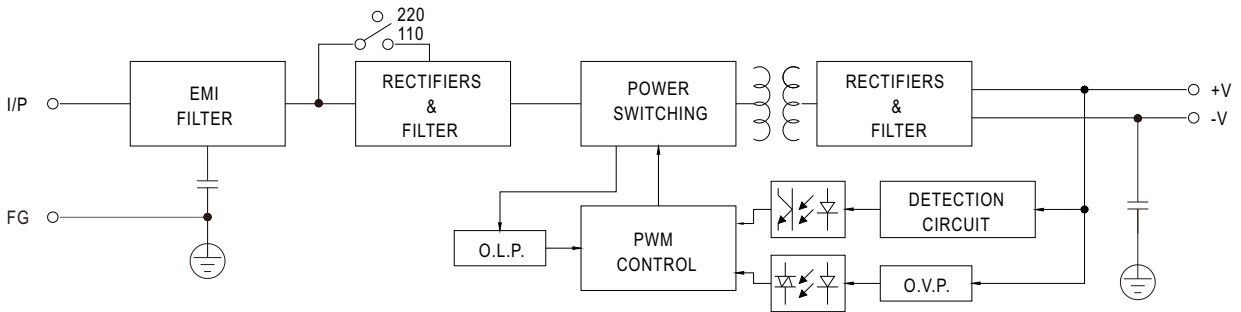


Terminal Pin No. Assignment

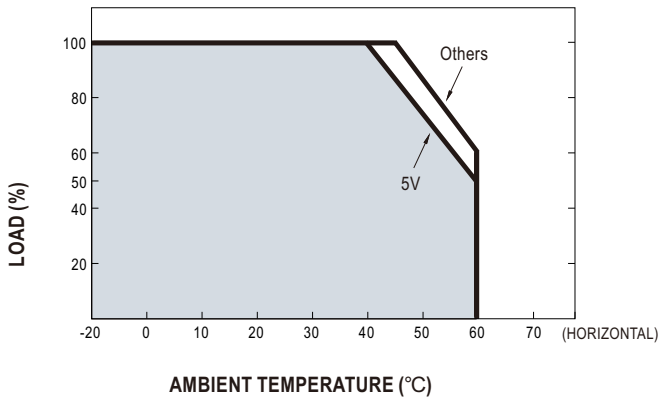
Pin No.	Assignment	Pin No.	Assignment
1	AC/L	4,5	DC OUTPUT -V
2	AC/N	6,7	DC OUTPUT +V
3	FG		

### Block Diagram

fosc : 60KHz



### Derating Curve



### Static Characteristics

