

35379-MP

High Power Driver Module

High power MOS Driver/Switch module with dual MOS transistors.

Wide input signal range for logic or PWM.

Low side switching (Current Sink, +VIN & +VOUT are Connected)

Power Input: 5-36VDC

Output: ~5-35V

15A 400W (up to 30A with heatsink & cooling)

Trigger: 3.3-20V (Logic compatible)

Resistance drain-source Rds (on): ~0.007 Ohm

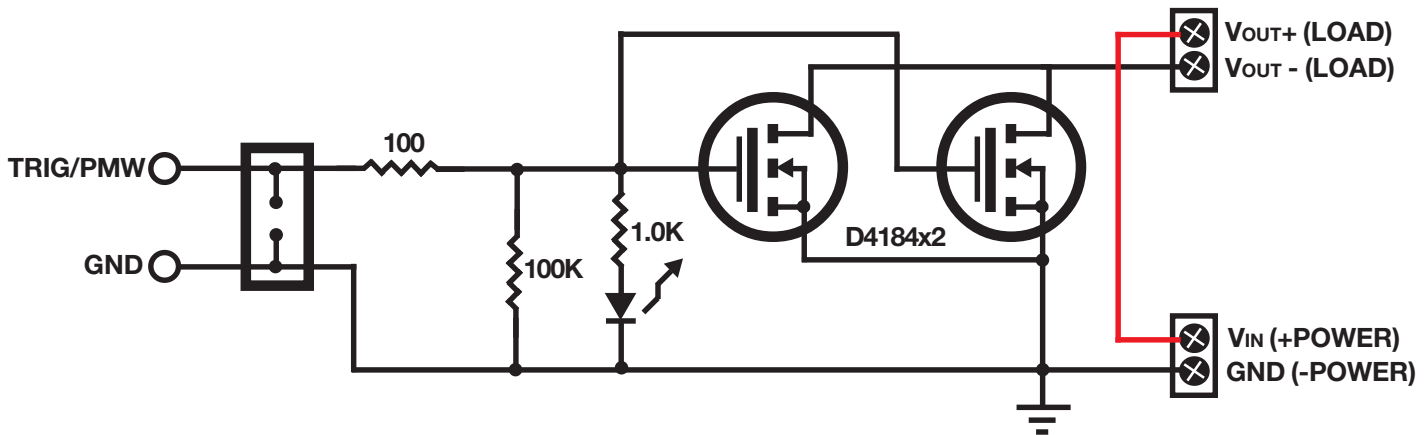
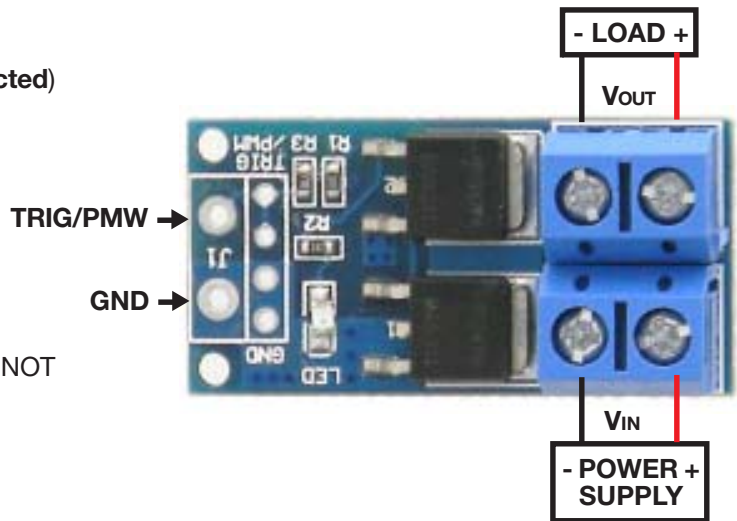
Max PWM Freq: 20KHz

Operating Temperature: - 40-85 "C"

Terminal Strip for Power In/Out

Trigger Input: Solder Holes (Also Holes for a .1 pitch Header NOT Supplied)

L: 1-5/16" W: 11/16" H: 9/16" WT: .02



Information including Drawings, Schematics, Links and Code (Software) Supplied or Referenced in this Document is supplied by MPJA inc. as a service to our customers and accuracy or usefulness is not guaranteed nor is it an Endorsement of any particular part, supplier or manufacturer. Use of information and suitability for any application is at users own discretion and user assumes all risk.

Information Subject to Change Without Notice
All rights are retained by the respective Owners/Author(s)



MARLIN P. JONES & ASSOC., INC.

P.O. Box 530400 Lake Park, FL 33403

800-652-6733 FAX 561-844-8764

WWW.MPJA.COM