

35376-VR

Mini Pot Assortment

3362P series PC Mount, single turn, adjustable resistors

Power: 0.5Watt

Turns:1

Tolerance:10%

1ea. of 10 common values:

100ohm (101)

500ohm (501)

1Kohm (102)

2K ohm (202)

5Kohm (502)

10Kohm (103)

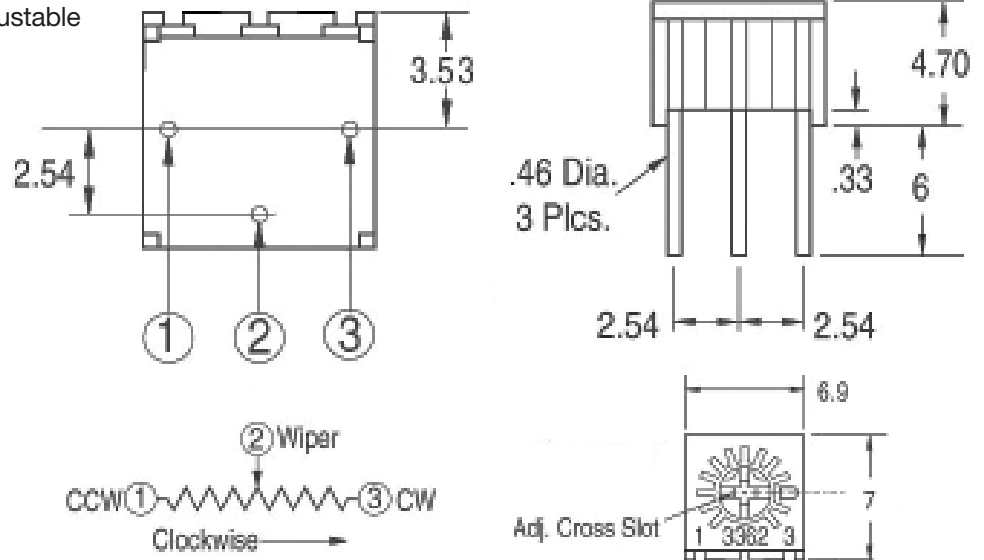
20Kohm (203)

50Kohm (503)

100Kohm (104)

500Kohm (504)

[SQ:] 1/4" [WT:] .02



ALL MEASUREMENTS IN MM

Information including Drawings, Schematics, Links and Code (Software) Supplied or Referenced in this Document is supplied by MPJA inc. as a service to our customers and accuracy or usefulness is not guaranteed nor is it an Endorsement of any particular part, supplier or manufacturer. Use of information and suitability for any application is at users own discretion and user assumes all risk.

Information Subject to Change Without Notice
All rights are retained by the respective Owners/Author(s)



MARLIN P. JONES & ASSOC., INC.

P.O. Box 530400 Lake Park, FL 33403

800-652-6733 FAX 561-844-8764

WWW.MPJA.COM