

# 35371-PS

## Micro Buck Converter

Adjustable, Non Isolated, MP1584EN Buck (Step Down) switching DC/DC Converter board. Ideal Point-of-Use regulator.

Input: 4.5-28VDC

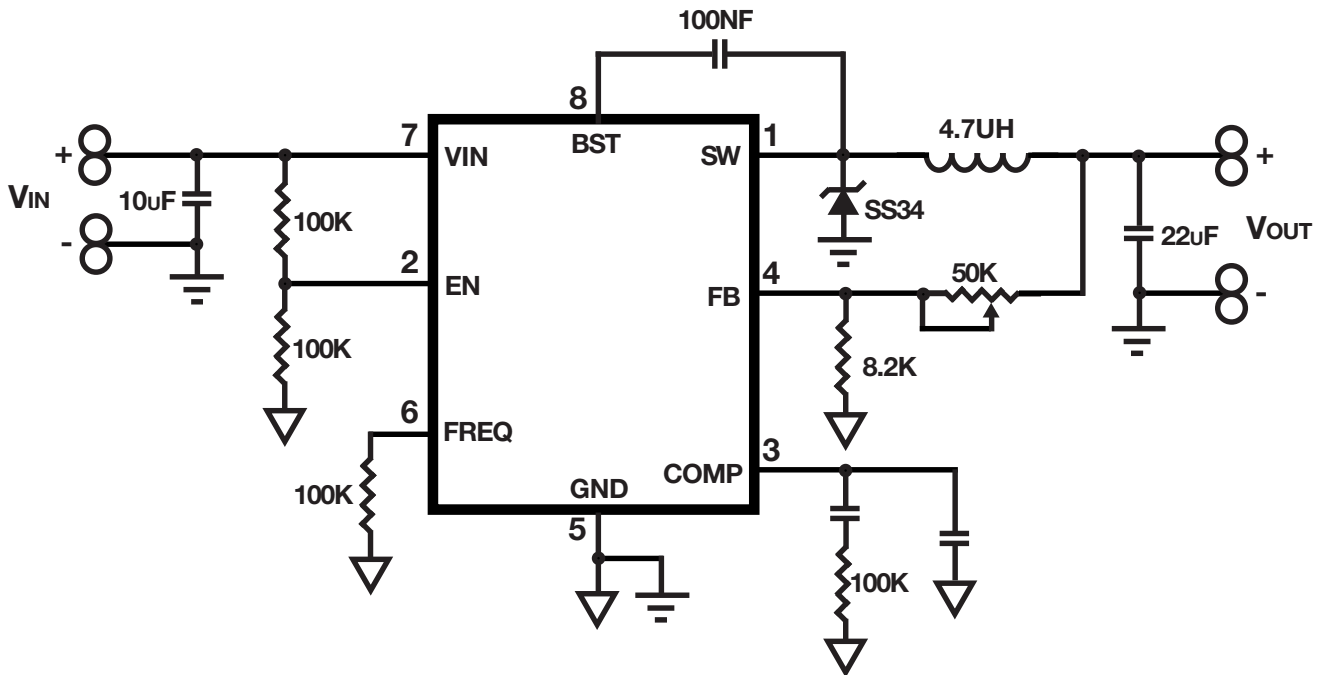
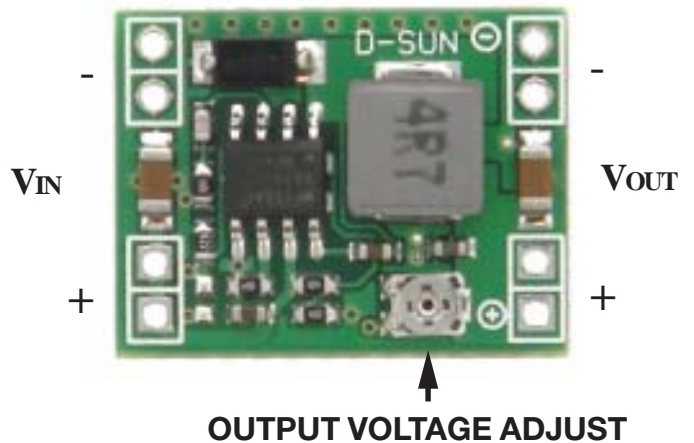
Output: 0.8-20VDC

Minimum  $V_{in} - V_{out}$ : 3V

Rated Current: 3A

**Heatsink Required above 10W**

L: 7/8" W: 11/16" H: 3/16" WT: .01



Information including Drawings, Schematics, Links and Code (Software) Supplied or Referenced in this Document is supplied by MPJA inc. as a service to our customers and accuracy or usefulness is not guaranteed nor is it an Endorsement of any particular part, supplier or manufacturer. Use of information and suitability for any application is at users own discretion and user assumes all risk.

Information Subject to Change Without Notice  
All rights are retained by the respective Owners/Author(s)



**MARLIN P. JONES & ASSOC., INC.**

P.O. Box 530400 Lake Park, FL 33403

800-652-6733 FAX 561-844-8764

WWW.MPJA.COM