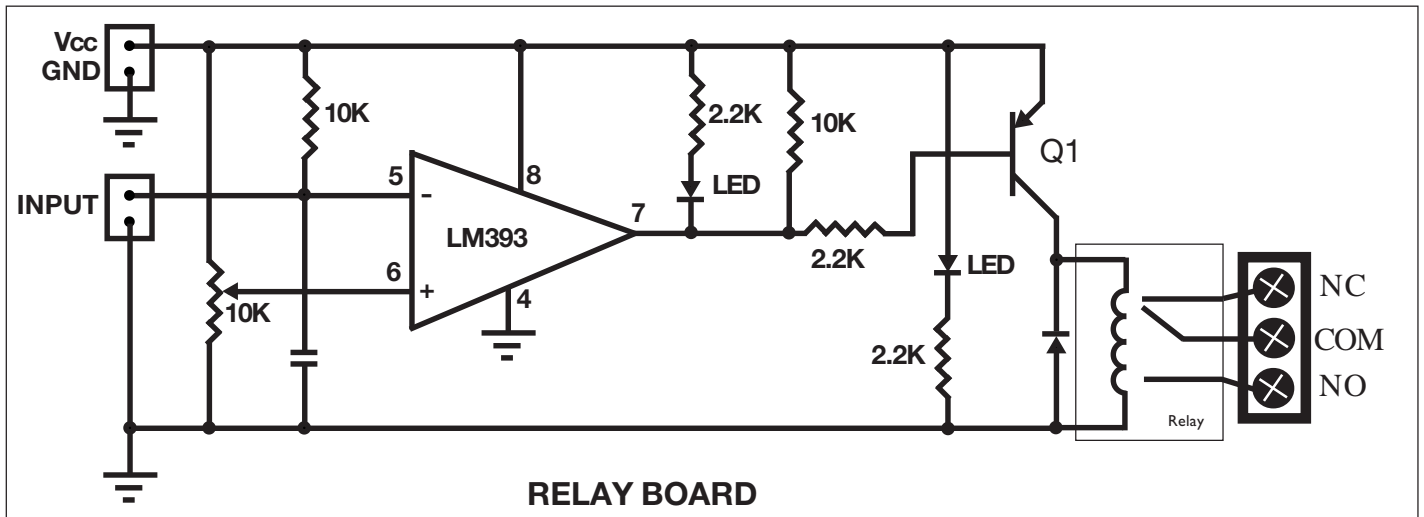
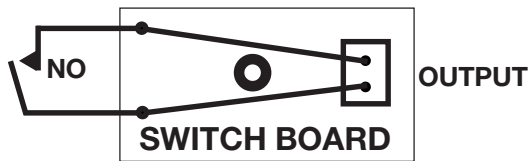
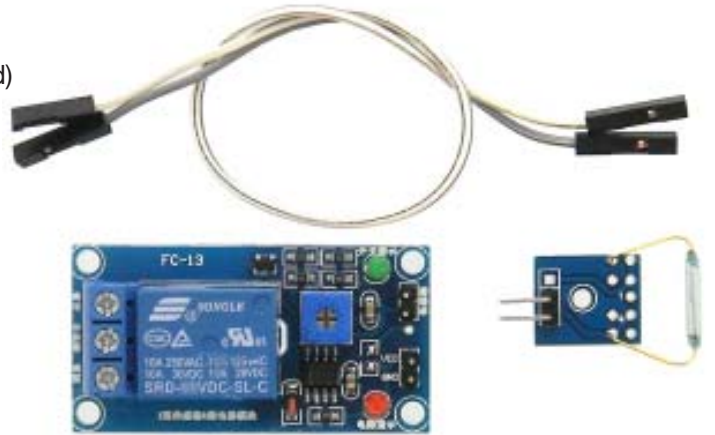


# 35363-MP

## 5VDC Mag Switch Controlled Relay Module

Mag reed switch controlled relay.  
Magnet Close: Relay ON (Mag Switch Closed)  
Magnet Away: Relay OFF (Mag Switch Open)  
~15mm sensing distance (Depands on Magnet NOT Supplied)  
Power: 5VDC  
Relay: SPDT  
Contacts: 10A@28VDC,30VDC,125VAC,250VAC  
Connections:  
Input: 2 pin .1in. pitch header for Mag Switch Board  
Power: 2 Pin .1" Pitch Header  
Output: Terminal strips  
20mm interconnect cable  
**Main Bd. L: 1-15/16" W: 1" H: 3/4"**  
**Sensor Bd. L: 15/8" W: 1/2" H: 1/4"**  
**WT: .04**



Information including Drawings, Schematics, Links and Code (Software) Supplied or Referenced in this Document is supplied by MPJA inc. as a service to our customers and accuracy or usefulness is not guaranteed nor is it an Endorsement of any particular part, supplier or manufacturer. Use of information and suitability for any application is at users own discretion and user assumes all risk.

Information Subject to Change Without Notice  
All rights are retained by the respective Owners/Author(s)



**MARLIN P. JONES & ASSOC., INC.**

P.O. Box 530400 Lake Park, FL 33403  
800-652-6733 FAX 561-844-8764  
WWW.MPJA.COM