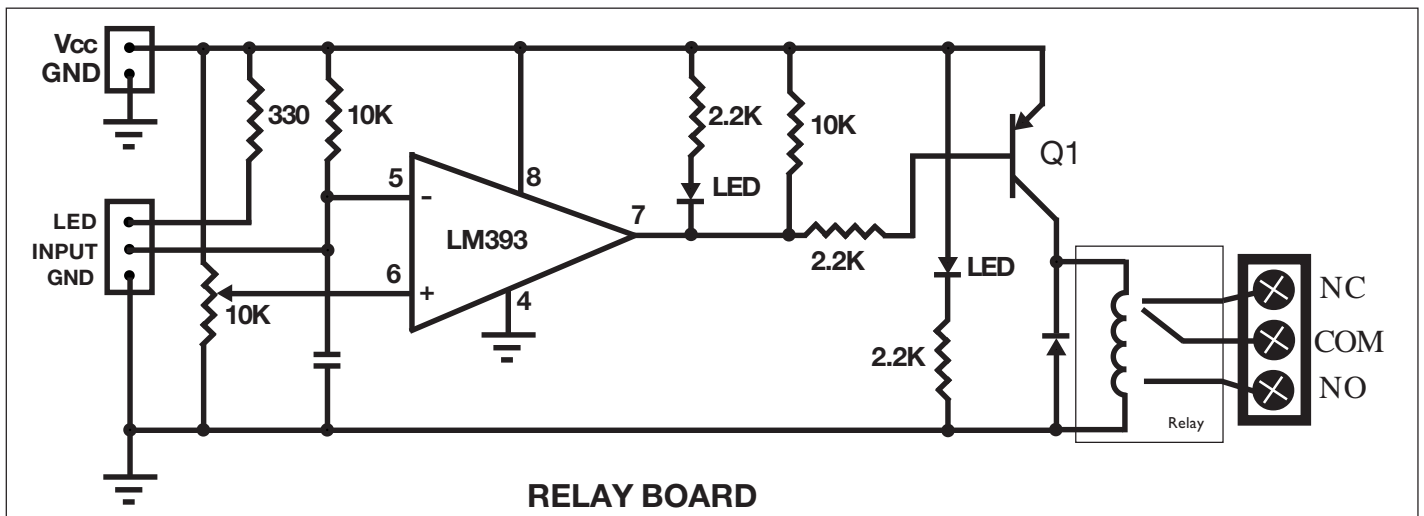
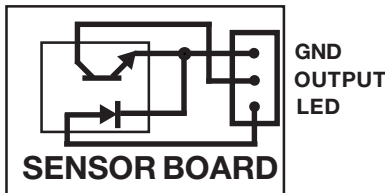
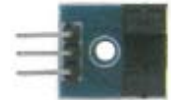


35362-MP

12VDC Opto-Interrupter Controlled Relay Module

Slot type optocoupler controlled relay.
Slot Blocked: Relay OFF
Slot Open: Relay ON
5mm Wide slot
Power:12VDC
Relay: SPDT
Contacts: 10A@28VDC,30VDC,125VAC,250VAC
Connections:
Input: 3 pin .1in. pitch header for sensor
Power: 2 Pin .1" Pitch Header
Output: Terminal strips
20mm interconnect cable
Main Bd. L: 1-15/16" W: 1" H: 3/4"
Sensor Bd. L: 5/8" W: 1/2" H: 1/2"
WT: .04



Information including Drawings, Schematics, Links and Code (Software) Supplied or Referenced in this Document is supplied by MPJA inc. as a service to our customers and accuracy or usefulness is not guaranteed nor is it an Endorsement of any particular part, supplier or manufacturer. Use of information and suitability for any application is at users own discretion and user assumes all risk.

Information Subject to Change Without Notice
All rights are retained by the respective Owners/Author(s)



MARLIN P. JONES & ASSOC., INC.

P.O. Box 530400 Lake Park, FL 33403
800-652-6733 FAX 561-844-8764
WWW.MPJA.COM