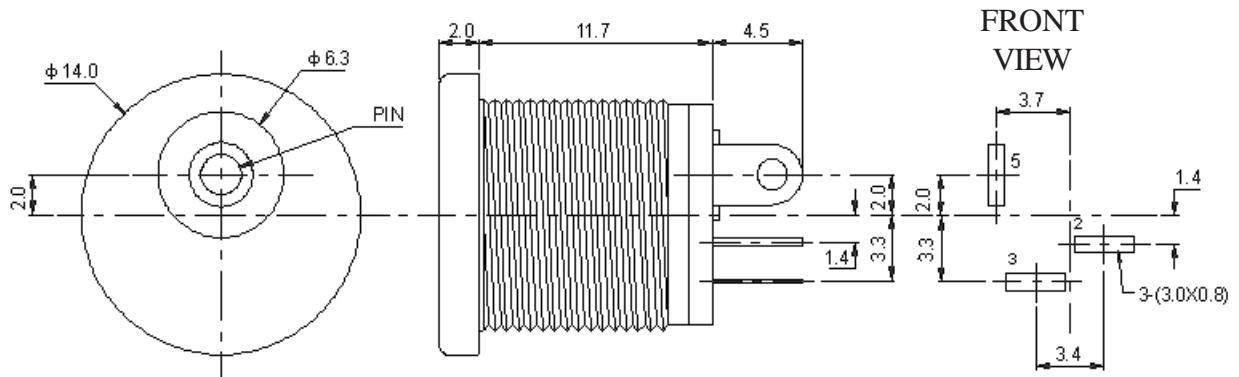


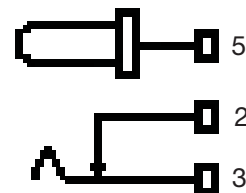
# 35183-PL

## Panel 5.5/2.1mm Coaxial Jack

Panel or chassis mount coaxial power jack.  
Port: 5.5mm OD x 2.1mm ID  
3 Terminal Bridging  
Solder Terminals  
Hole Size: 11.6mm  
**DIA:** 14mm    **L:** 13.7mm Body    **WT:** .01



**NOTE:** Bridging  
With NO Plug in jack;    Terminals 2 & 3 Connected together  
With Plug in jack;        Terminals 2 & 3 NOT Connected



Information including Drawings, Schematics, Links and Code (Software) Supplied or Referenced in this Document is supplied by MPJA inc. as a service to our customers and accuracy or usefulness is not guaranteed nor is it an Endorsement of any particular part, supplier or manufacturer. Use of information and suitability for any application is at users own discretion and user assumes all risk.

Information Subject to Change Without Notice  
All rights are retained by the respective Owners/Author(s)



**MARLIN P. JONES & ASSOC., INC.**

P.O. Box 530400 Lake Park, FL 33403  
800-652-6733    FAX 561-844-8764  
WWW.MPJA.COM