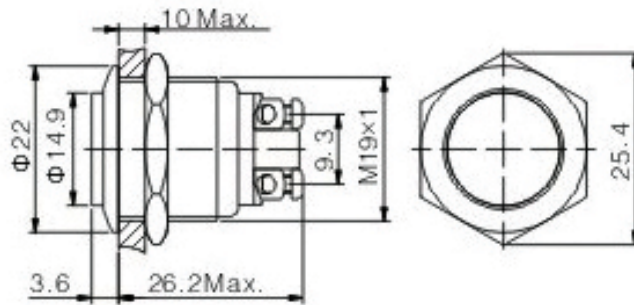


35103-SW thru 35106-SW

SPST-NO Pushbutton Switch

SPST-NO, Momentary Pushbutton switch
Metal body with Anodized Raised Cup Face Button.
IP-65 rated
Contacts Rated: 2A @ 36VDC
Actuation Force: ~ 800gm
Compression screw Terminals.
Mounting Hole: 19mm (3/4")
Dia: 7/8" (22mm) **L:** 1-1/8" O/A **WT:** .05



Information including Drawings, Schematics, Links and Code (Software) Supplied or Referenced in this Document is supplied by MPJA inc. as a service to our customers and accuracy or usefulness is not guaranteed nor is it an Endorsement of any particular part, supplier or manufacturer. Use of information and suitability for any application is at users own discretion and user assumes all risk.

Information Subject to Change Without Notice
All rights are retained by the respective Owners/Author(s)



MARLIN P. JONES & ASSOC., INC.

P.O. Box 530400 Lake Park, FL 33403
800-652-6733 FAX 561-844-8764
WWW.MPJA.COM