

35077-MP

ARDUINO SOUND SENSOR MODULE

Arduino Analog/Digital Sound Sensor

Arduino powered board with adjustable audio trigger sensitivity level using the LM393 IC.
LEDs for Power & Detection.

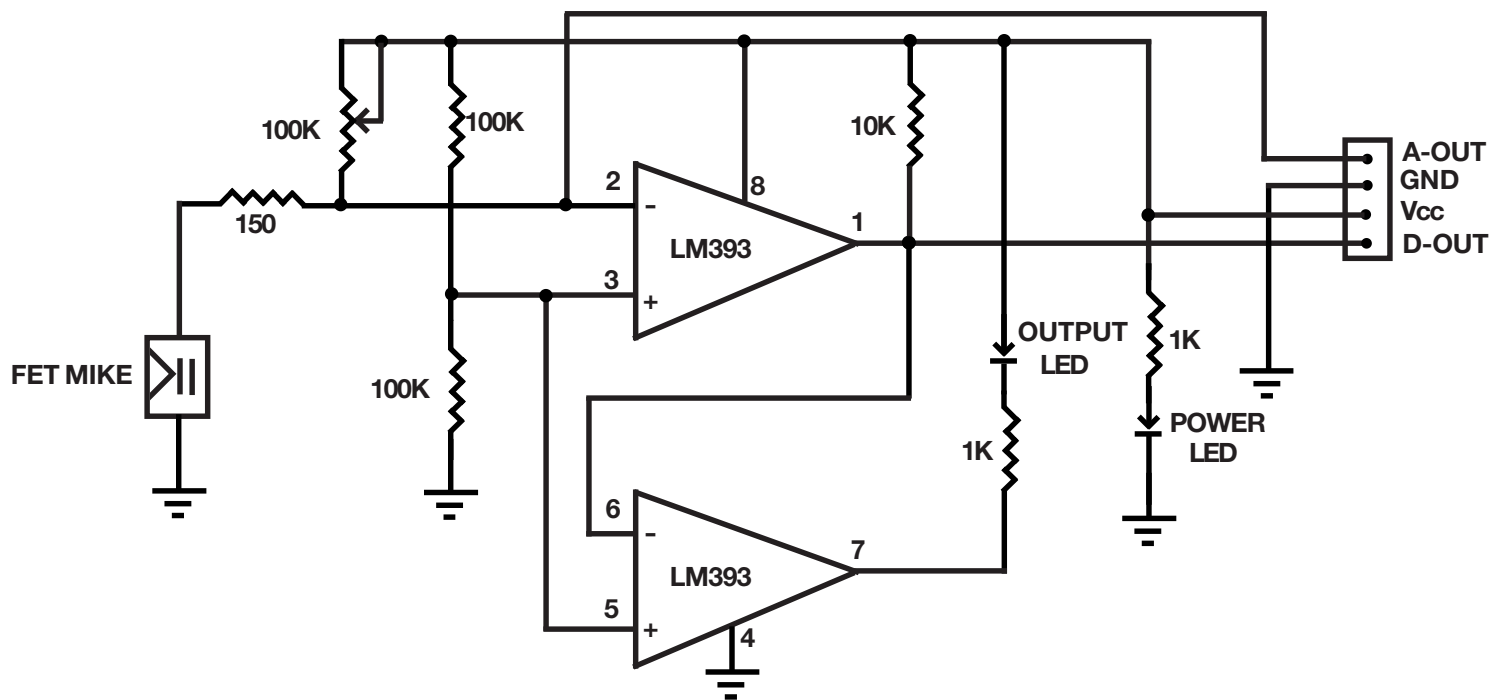
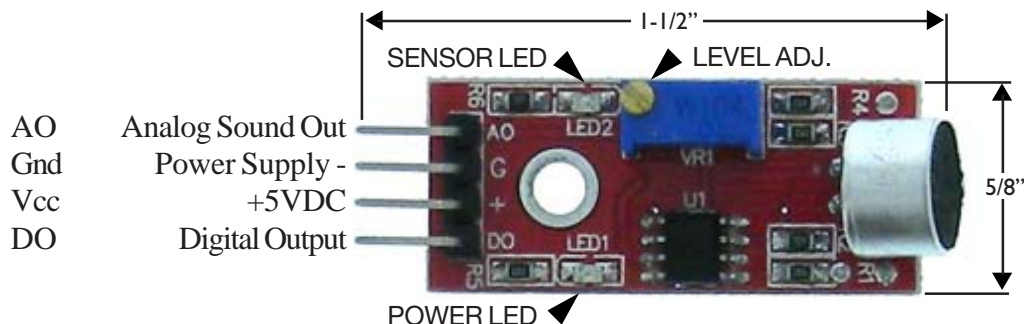
Power: 3.5-5.5VDC

Outputs: Analog: low level audio

Digital Low for detected sound above setting.

4 Pin I/O header.

L: 1-1/2" O/A W: 5/8" H: 9/16" WT: .01



Information obtained from or supplied by Mpja.com or Marlin P. Jones and Associates inc. is supplied as a service to our customers and accuracy is not guaranteed nor is it definitive of any particular part or manufacturer. Use of information and suitability for any application is at users own discretion and user assumes all risk.



MARLIN P. JONES & ASSOC., INC.

P.O. Box 530400 Lake Park, FL 33403

800-652-6733 FAX 561-844-8764

WWW.MPJA.COM