

34948-RL

12VDC 1-30 Second Adjustable Delay on Start Relay. With Socket

Delay on Turn-on

Includes Socket

Very small, compact DPDT adjustable Time delay relay & DIN Rail socket (Can be Screw Mounted).

Rated: Adj. 1-30Sec.,

12VDC Power,

Contacts: 5A @ 250VAC Resistive.

CE listed,

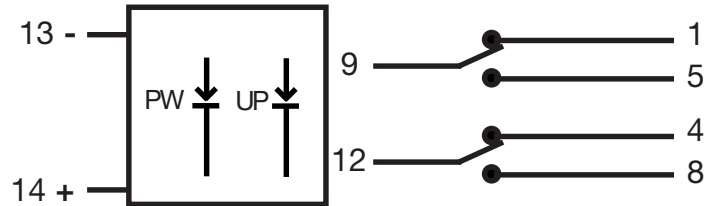
PW LED lights when power is applied to the coil.

UP LED lights when pre-set time is reached.

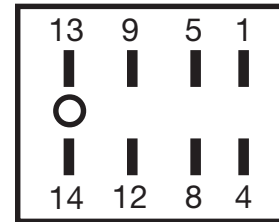
Power must be removed from the coil to reset the timer.

Measurements are of the timer only excluding relay base.

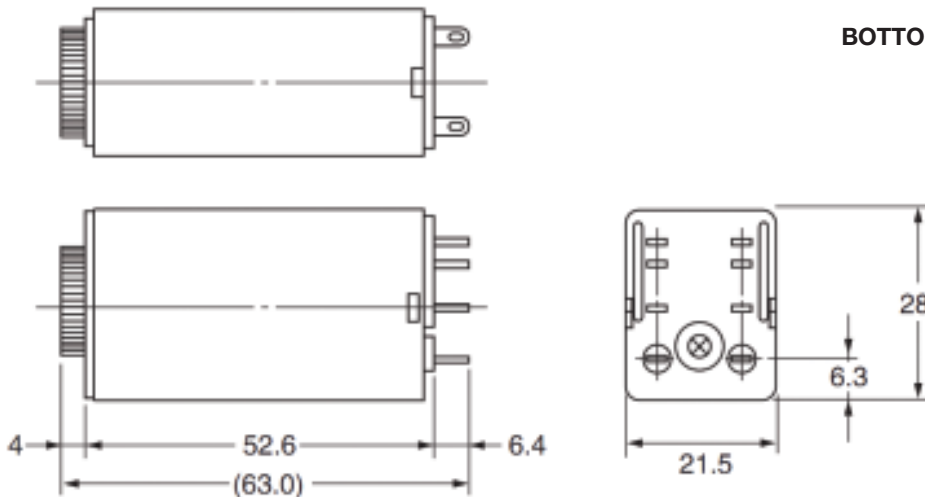
L: 2-1/2" O/A **W:** 1-1/8" **T:** 7/8" **WT:** .16



SHOWN DE-ENERGIZED



BOTTOM VIEW



Information including Drawings, Schematics, Links and Code (Software) Supplied or Referenced in this Document is supplied by MPJA inc. as a service to our customers and accuracy or usefulness is not guaranteed nor is it an Endorsement of any particular part, supplier or manufacturer. Use of information and suitability for any application is at users own discretion and user assumes all risk.

Information Subject to Change Without Notice
All rights are retained by the respective Owners/Author(s)



MARLIN P. JONES & ASSOC., INC.

P.O. Box 530400 Lake Park, FL 33403

800-652-6733 FAX 561-844-8764

WWW.MPJA.COM