

# 34790-MI

5K Ohm 3Axis Joystick

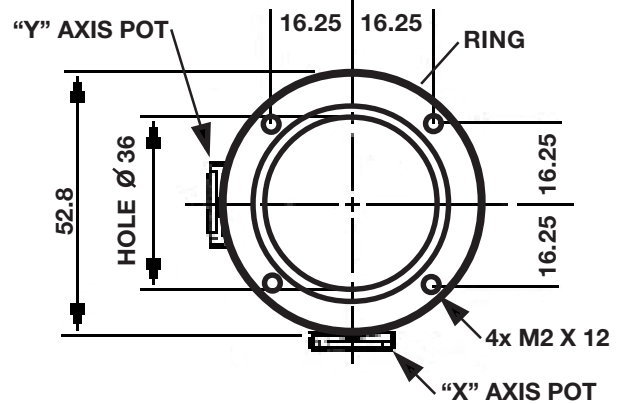
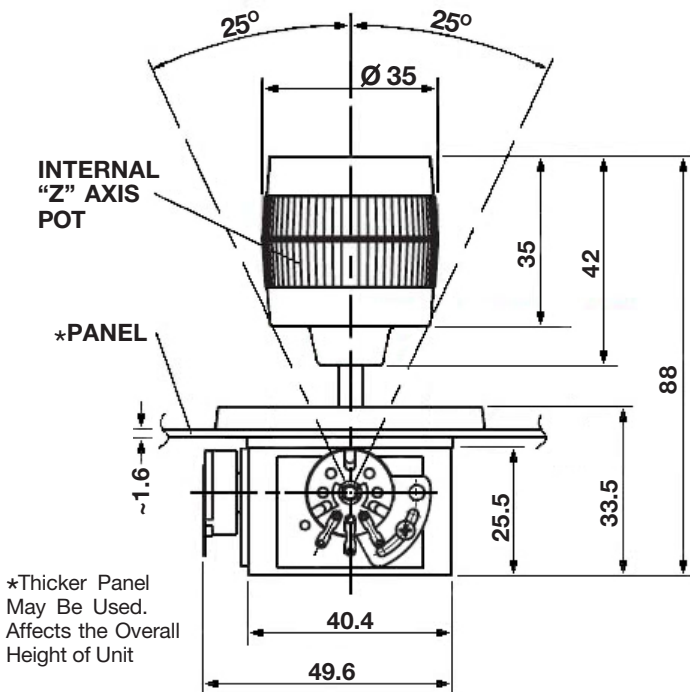
# 34791-MI

10K Ohm 3Axis Joystick

X-Y-Z joystick for PTZ control security cameras,  
 Robotics, Machine tools.  
 Standard X-Y joystick movement with rotating lever top for Z.  
 Resistance: 5K +-20% or 10K +-20%  
 Linearity: 1%  
 Temp. Co.: 400ppm/deg. "C"  
 X-Y Motion Range: +-25deg  
 Z Rotation Range: +-45deg  
 Return Error: 0.03k Ohm (Centering)  
**H: 88mm SQ: 50mm WT: .22**



## MEASUREMENTS IN MM



## MOUNTING DETAIL

Information obtained from or supplied by Mpja.com or Marlin P. Jones and Associates inc. is supplied as a service to our customers and accuracy is not guaranteed nor is it definitive of any particular part or manufacturer. Use of information and suitability for any application is at users own discretion and user assumes all risk.



**MARLIN P. JONES & ASSOC., INC.**

P.O. Box 530400 Lake Park, FL 33403  
 800-652-6733 FAX 561-844-8764  
 WWW.MPJA.COM