

34767-OP

50W Cool White LED Module

REQUIRES ~ 600in² OF HEATSINKING
Designed to be hardwired into a fixture

High-power 50W LED Cool White Light module with constant power regulation, over Temperature and Voltage protection.

Push-in-Spring Clamp power connector.

[Designed to be hard wired into a fixture with ~600sqIn of Heatsink

Entire back of module should be coated with thermal compound and contact heatsink]

Sealed to IP65

Power: 110VAC

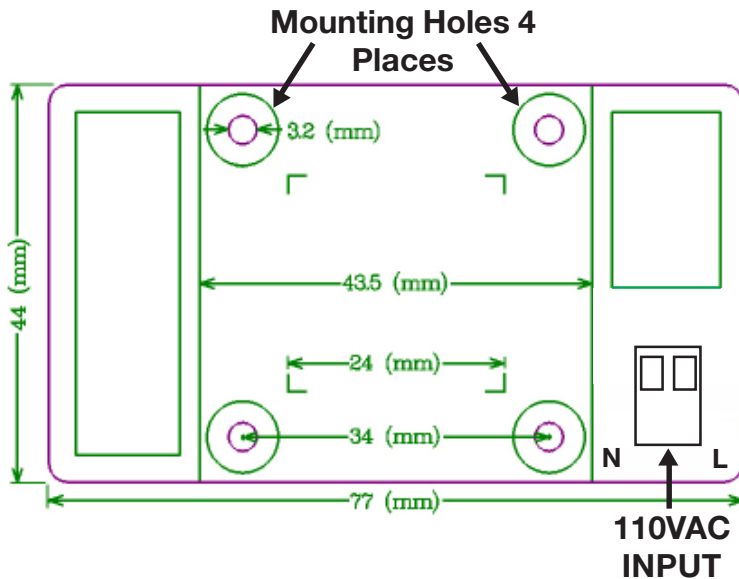
Color Temperature: 6000-6500K

Lumens: 2500min.

L: 3-1/16" W: 1-3/4" T: 1/4" WT: .05



NOTE: AC Line Connections are Spring Loaded, Grip, Push-In.



Information including Drawings, Schematics, Links and Code (Software) Supplied or Referenced in this Document is supplied by MPJA inc. as a service to our customers and accuracy or usefulness is not guaranteed nor is it an Endorsement of any particular part, supplier or manufacturer. Use of information and suitability for any application is at users own discretion and user assumes all risk.

Information Subject to Change Without Notice
 All rights are retained by the respective Owners/Author(s)



MARLIN P. JONES & ASSOC., INC.

P.O. Box 530400 Lake Park, FL 33403
 800-652-6733 FAX 561-844-8764
 WWW.MPJA.COM