

34767-OP

50W Cool White LED Module

REQUIRES ~ 600in² OF HEATSINKING
Designed to be hardwired into a fixture

High-power 50W LED Cool White Light module with constant power regulation, over Temperature and Voltage protection.

Sealed to IP65

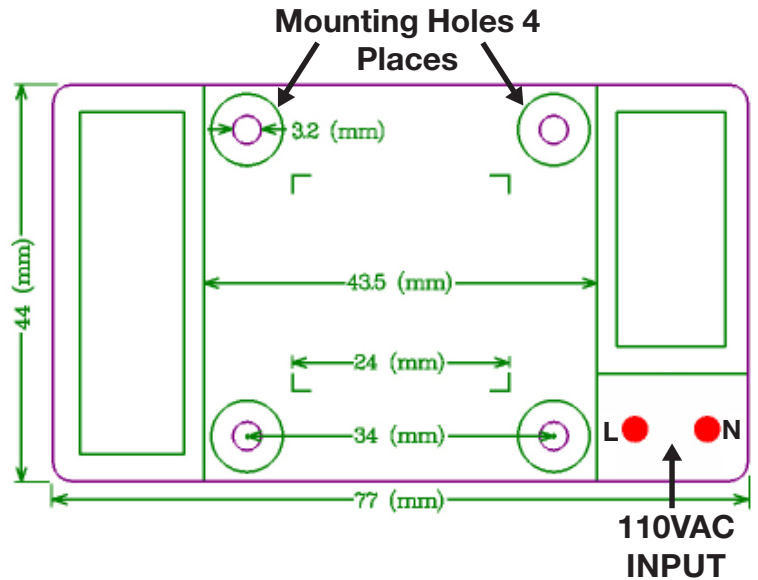
Power: 110VAC

Color Temperature: 6000-6500K

Lumens: 2500min.

L: 3-1/16" W: 1-3/4" T: 1/4" WT: .05

NOTE: AC Line Connections are Solder Pads.
Recommend that Leads be Attached Before Mounting to Heatsink



Information including Drawings, Schematics, Links and Code (Software) Supplied or Referenced in this Document is supplied by MPJA inc. as a service to our customers and accuracy or usefulness is not guaranteed nor is it an Endorsement of any particular part, supplier or manufacturer. Use of information and suitability for any application is at users own discretion and user assumes all risk.

Information Subject to Change Without Notice
All rights are retained by the respective Owners/Author(s)



MARLIN P. JONES & ASSOC., INC.

P.O. Box 530400 Lake Park, FL 33403
800-652-6733 FAX 561-844-8764
WWW.MPJA.COM