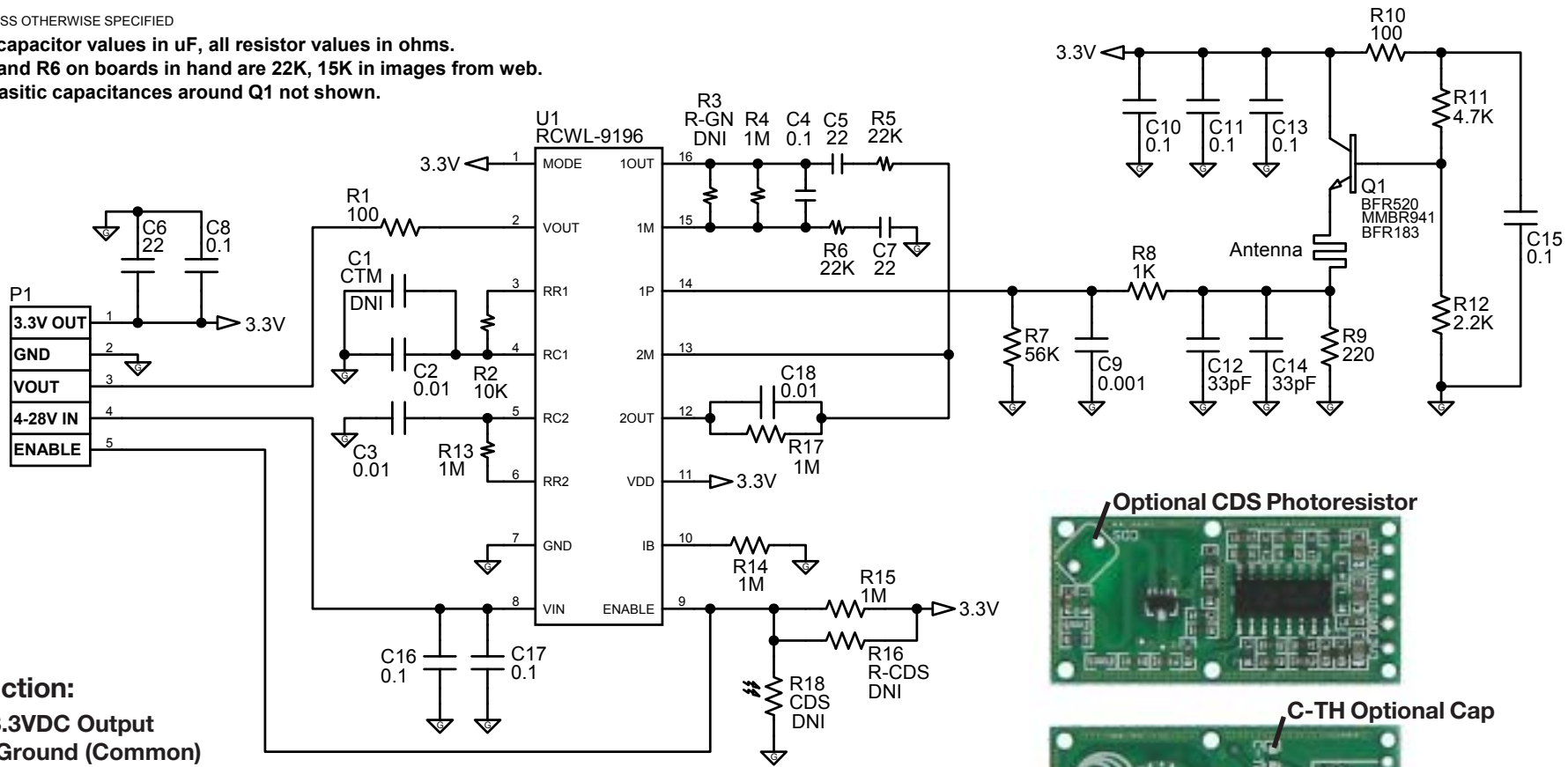


NOTES: UNLESS OTHERWISE SPECIFIED

1. All capacitor values in uF, all resistor values in ohms.
2. R5 and R6 on boards in hand are 22K, 15K in images from web.
3. Parasitic capacitances around Q1 not shown.



**Pin Function:**

- 3V3 3.3VDC Output
- GND Ground (Common)
- OUT Module Output (Hi when triggered)
- VIN 4-28VDC Input Power
- CDS External Photoresistor (can pulled low to disable triggering)

Optional CDS Photoresistor



C-TH Optional Cap



Optional R-CDS Resistor

From Original Drawing  
By  
J TAYLOR 2017/01/01

Information obtained from or supplied by Mpja.com or Marlin P. Jones and Associates inc. is supplied as a service to our customers and accuracy is not guaranteed nor is it definitive of any particular part or manufacturer. Use of information and suitability for any application is at users own discretion and user assumes all risk.

Information Subject to Change Without Notice  
All rights are retained by the respective Owners/Author(s)

[www.mpja.com](http://www.mpja.com)

Title			Doppler RADAR Motion Sensor		
Size	Document Number	34685 MP		Rev.	
Date	Sheet				